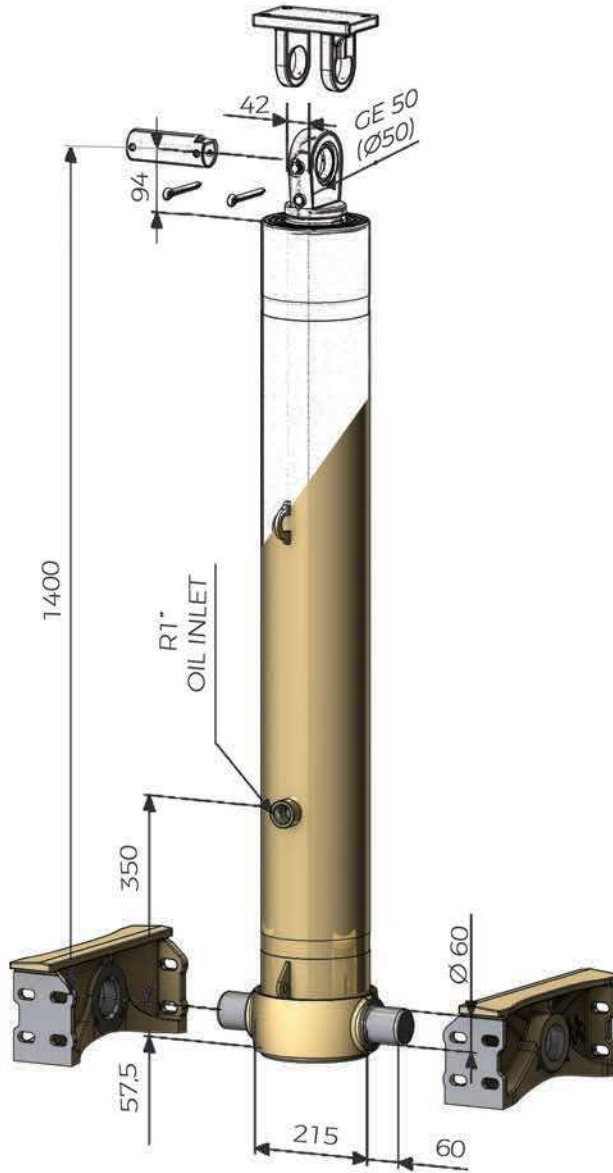


Teknik Katalog
Technical Catalogue

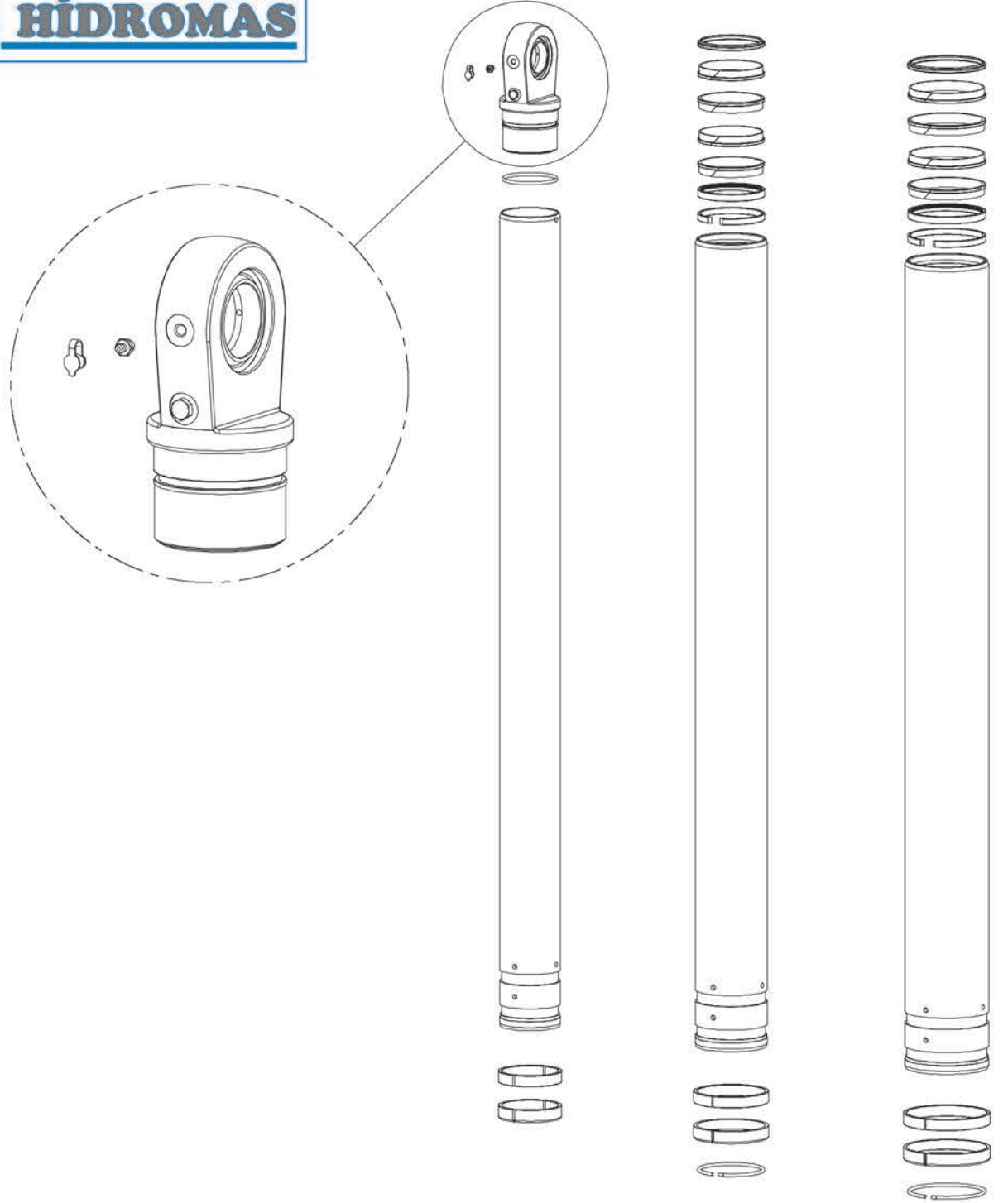


Teleskopik Silindirler
Telescopic Cylinder

www.hidromas.com



TRANSFORMING
BEST MATERIALS
TO THE BEST PRODUCT

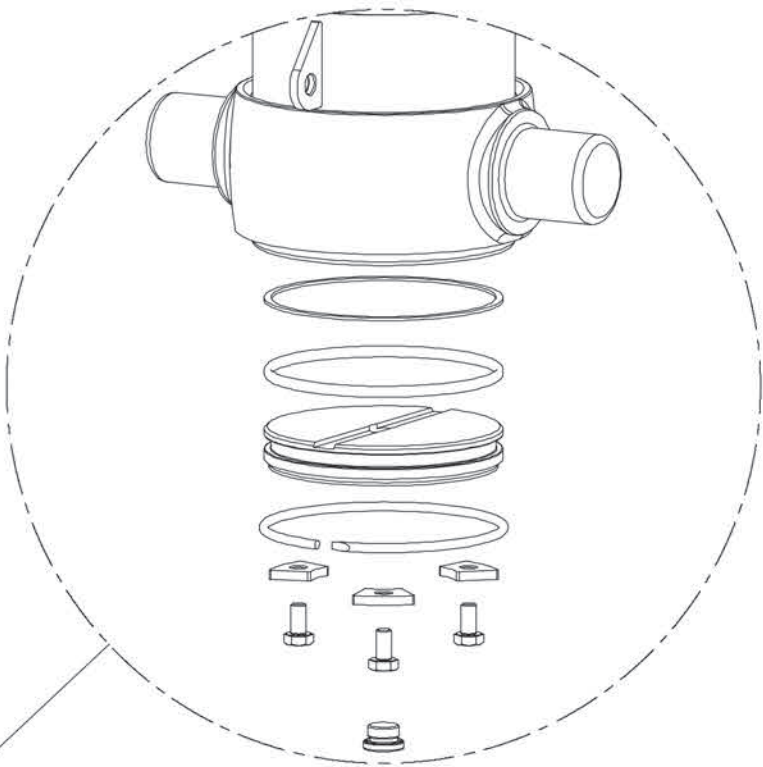
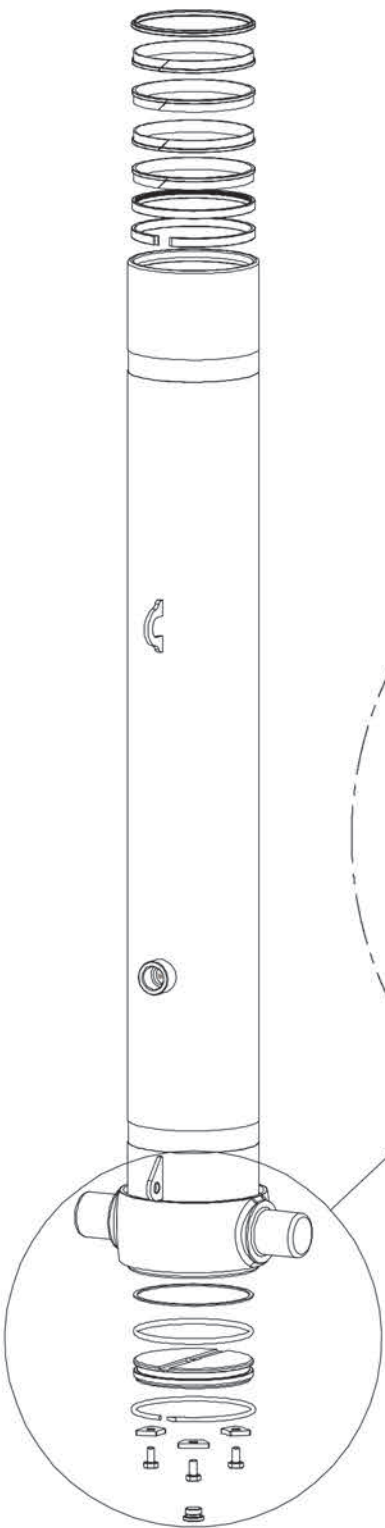


Önemli Uyarı

Bu katalogta bulunan resim ve çizimlerin her türlü hakkı Galipoğlu Hidromas A.Ş.'ye aittir.
İzinsiz kullanılamaz, kopyalanamaz.
Önceden haber vermeksizin ölçü ve dizaynda değişiklik yapma hakkı saklıdır.
Lütfen kesin sipariş vermeden önce teknik değerler için teyit alınız.

Important Note

Right of the photographs and drawing that existing in catalogue belongs to Galipoğlu Hidromas A.S.
Forbidden using and copying without permission.
Can be changed without noticing.
Please confirm the technical information before ordering.



GOLD SERİSİ
GOLD SERIES

KLASİK SERİSİ
CLASSIC SERIES



DESING CALCULATIONS FOR CYLINDER



Tüm Silindirler Montajlanırken 30 mm'lik | **Inc 30 mm Pull Out**

+20 mm'lik Toleransla Dışarı Çekilir | **Tolerance +20 ; 0**

Çalışma Basıncı | **Working Pressure 170 Bar**

Max. Çalışma Basıncı | **Max. Working Pressure 190 Bar**

Çalışma Sıcaklığı | **Working Temperature -23 °C / +80 °C**

Bütün Kademeler Sert Krom Kaplıdır. | **Hard Chromed All Stages**

Bütün Kademeler st 52 Soğuk Çekim | **All Cylinder Materials Are st 52**

Borudan İmal Edilmektedir. | **Cold Down Tubes**

Gold Serisi Renk Kodu : RAL 1036 | **Gold cylinder is painted with RAL 1036**

Klasik Seri Renk Kodu : RAL 7024 | **Classical cylinder is painted with RAL 7024**

- St Strok | **Stroke**
- BL Kasa Uzunluğu | **Body Length**
- Ro Arka Çıkıntı | **Rear Overhang**
- PI Pivot Uzunluğu | **Pivot Length**
- C İki Braket Delik Merkezi Uzaklığı | **Bracket Length**

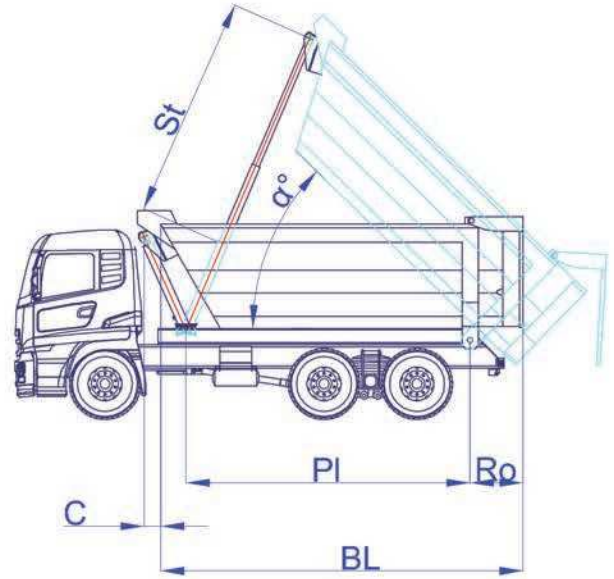
$$PI = BL + C - Ro$$

$$\alpha^\circ = \frac{St \times 60}{PI}$$

$$F (N) = 10 \cdot A (cm^2) \cdot P (bar)$$

$$T (sn) = \frac{V (cm^3)}{Q (cm^3/min)}$$

$$T (sn) = \frac{L (m)}{V (m/sn)}$$



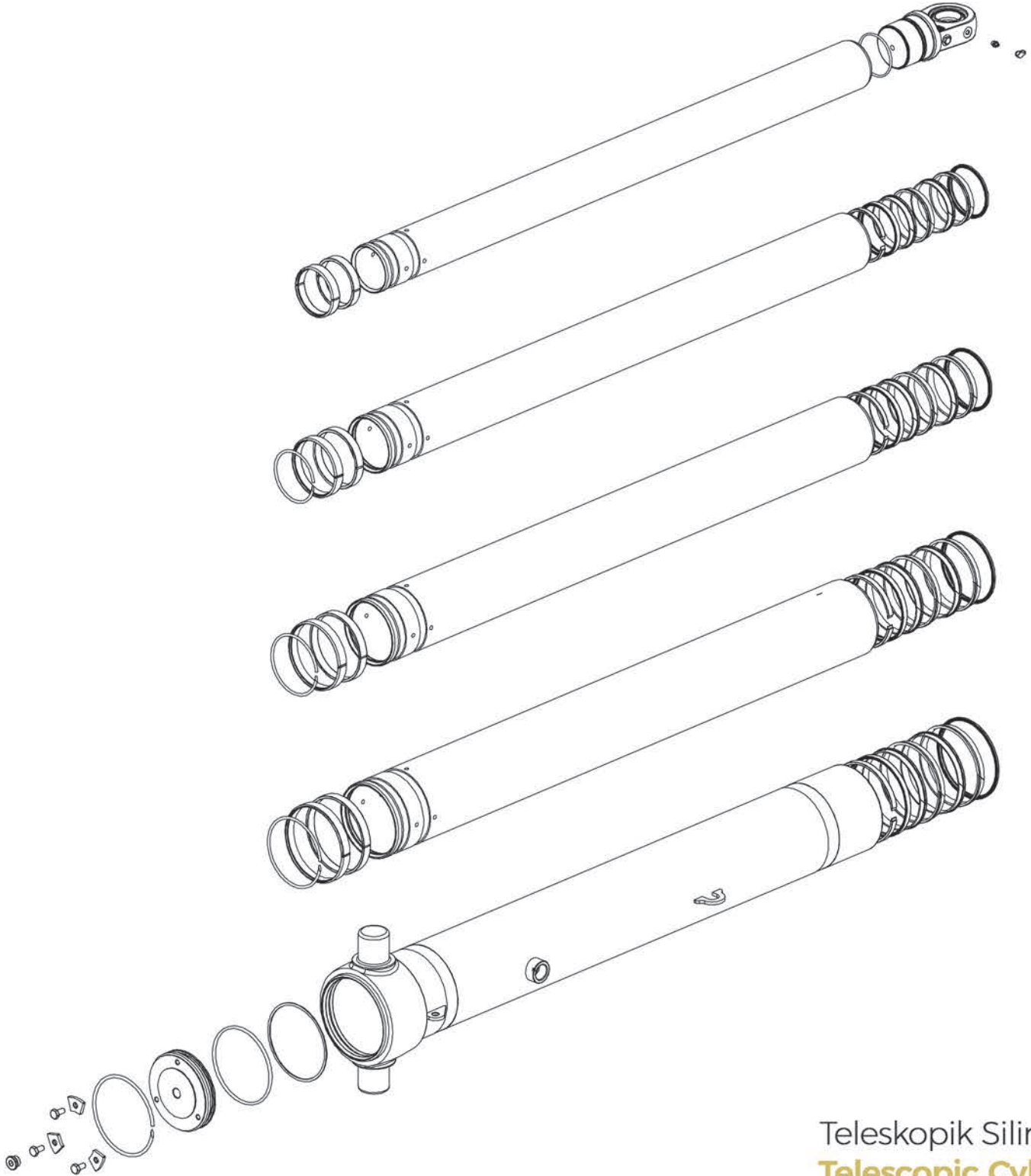
$$V(cm/min) = \frac{Q (cm^3/min) \cdot n_r}{A (cm^2)}$$

$$Q(cm^3/min) = \frac{V (cm/min) \cdot A (cm^2)}{n_r}$$



İçindekiler Index

- 01 Silindir Kodu Açılımı | **Cylinder Code Description**
- 02-13 Gold Serisi | **Gold Series**
- 16-21 Braket Takımları Gold Serisi | **Bracket Kits Gold Series**
- 22-25 Sızdırmazlık Kitleri | **Bracket Kits**
- 28-33 Klasik Serisi | **Classic Series**
- 36-41 Braket Takımları Klasik Serisi | **Bracket Kits Classic Series**



Teleskopik Silindirler
Telescopic Cylinder

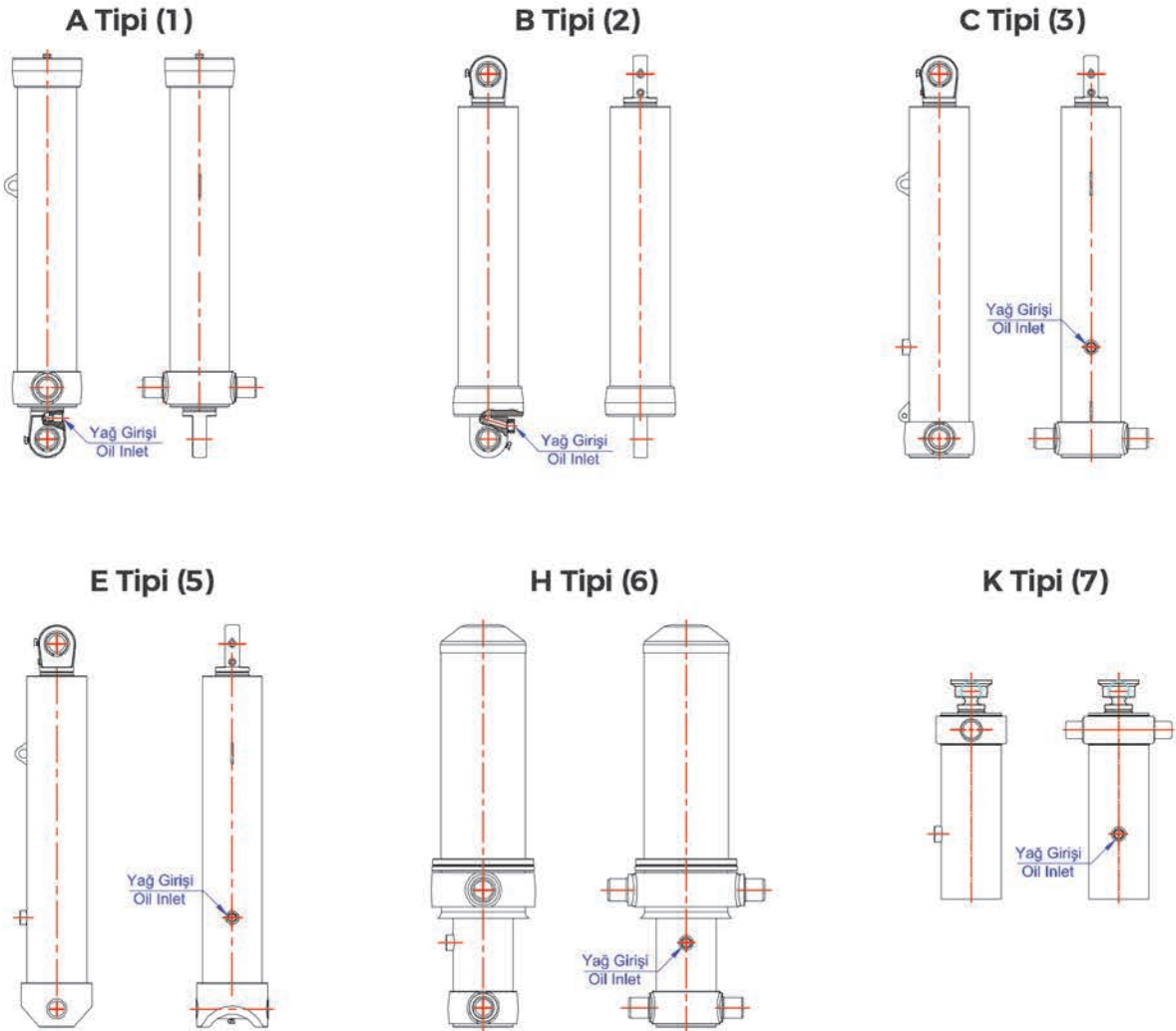


43175555503

43 175 5 5550 3

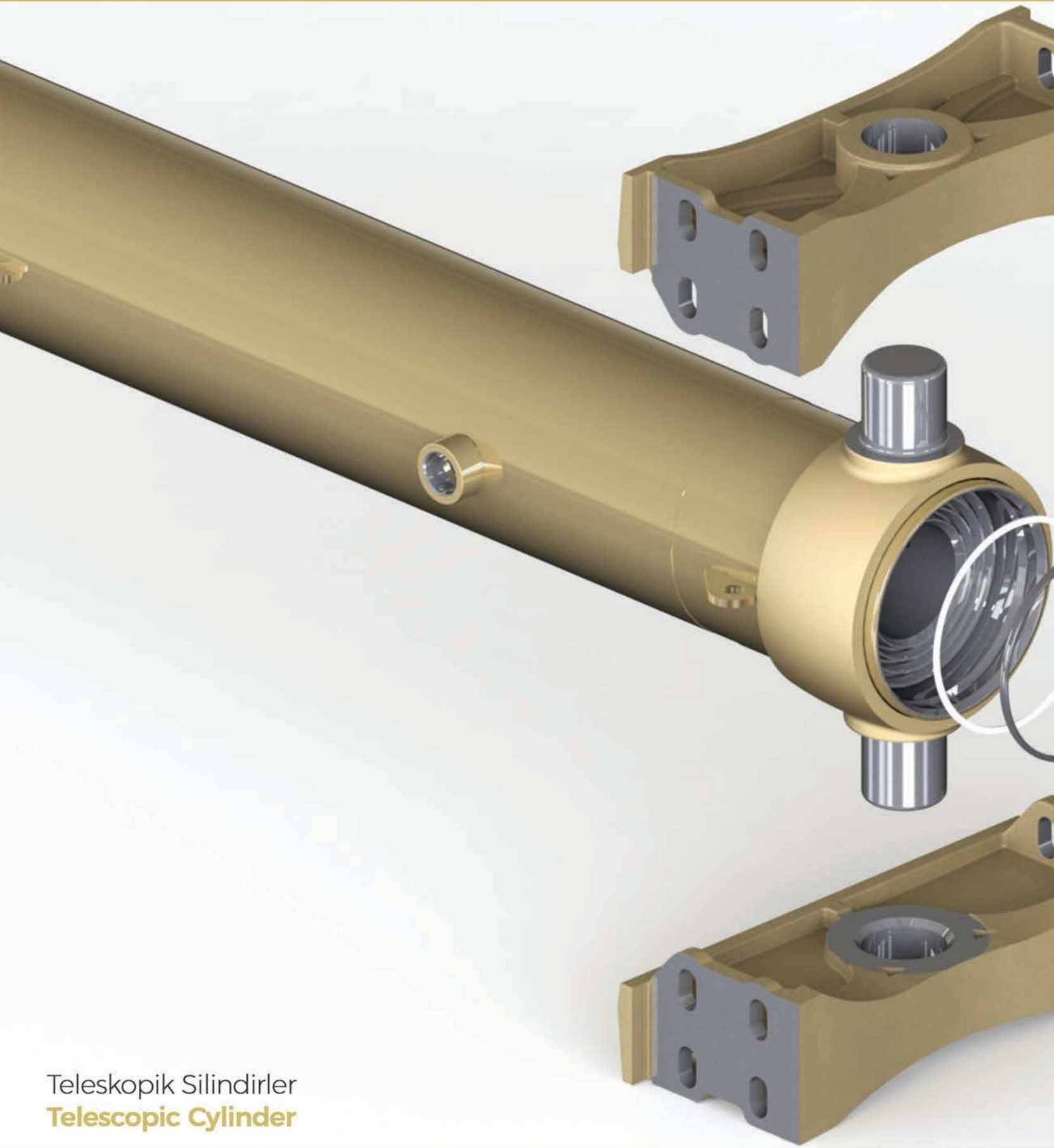


Bağlantı Şekilleri Mounting Holes



Silindir Serisi 43 ile başlıyorsa gold serilerini temsil eder.
If cylinder series starts with 43, classified as gold series.

Silindir Serisi 42 ile başlıyorsa klasik serilerini temsil eder.
If cylinder series starts with 42, classified as classic series.



Teleskopik Silindirler
Telescopic Cylinder

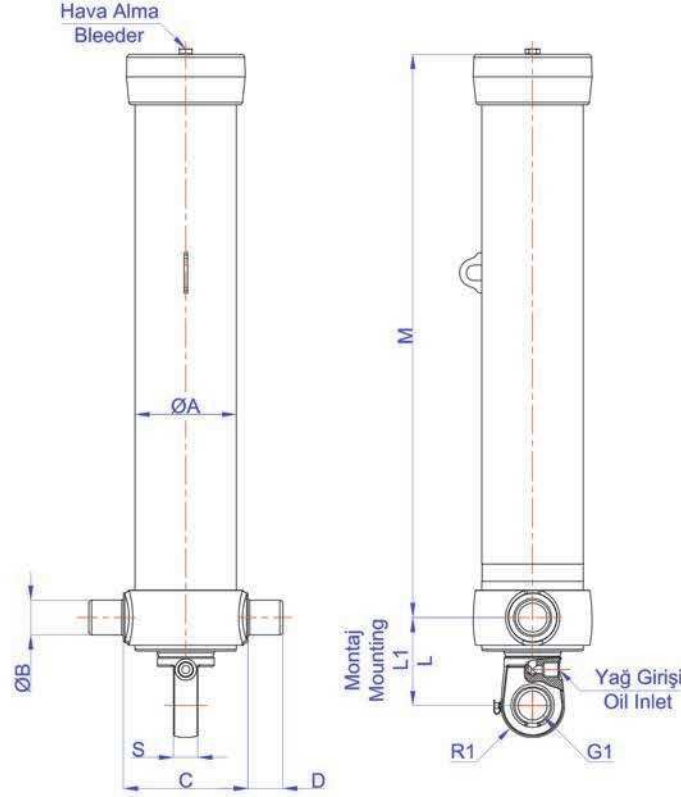
Gold Series





Gold Serisi A Tipi Gold Series Type A

Teknik Çizim | Technical Drawing



ÜRÜN KODU PRODUCT CODE	TİP TYPE	ØA	L	L1	ØG1	ØB	C	M	S	D	R	LİTRE LİTER (dm ³)	YAĞ GİRİŞİ OIL INLET	AĞIRLIK WEIGHT (kg)
43116324701	GHS 116-3-2470 A TEL. SİL.	135	150	180	GE 50 (Ø50)	60	170	963	42	60	55	24	R 3/4"	85
43116327601	GHS 116-3-2760 A TEL. SİL.	135	150	180	GE 50 (Ø50)	60	170	1063	42	60	55	27	R 3/4"	91
43116330751	GHS 116-3-3075 A TEL. SİL.	135	150	180	GE 50 (Ø50)	60	170	1193	42	60	55	30	R 3/4"	100
43116331951	GHS 116-3-3195 A TEL. SİL.	135	150	180	GE 50 (Ø50)	60	170	1233	42	60	55	32	R 3/4"	106

ÜRÜN KODU PRODUCT CODE	TİP TYPE	ØA	L	L1	ØG1	ØB	C	M	S	D	R	LİTRE LİTER (dm ³)	YAĞ GİRİŞİ OIL INLET	AĞIRLIK WEIGHT (kg)
43135327601	GHS 135-3-2760 A TEL. SİL.	155	150	180	GE 50 (Ø50)	60	193	1065	42	60	55	38	R 3/4"	112
43135330751	GHS 135-3-3075 A TEL. SİL.	155	150	180	GE 50 (Ø50)	60	193	1195	42	60	55	43	R 3/4"	123
43135331951	GHS 135-3-3195 A TEL. SİL.	155	150	180	GE 50 (Ø50)	60	193	1235	42	60	55	44	R 3/4"	126
43135333301	GHS 135-3-3330 A TEL. SİL.	155	150	180	GE 50 (Ø50)	60	193	1285	42	60	55	46	R 3/4"	130
43135334501	GHS 135-3-3450 A TEL. SİL.	155	150	180	GE 50 (Ø50)	60	193	1335	42	60	55	48	R 3/4"	134
43135335851	GHS 135-3-3585 A TEL. SİL.	155	150	180	GE 50 (Ø50)	60	193	1385	42	60	55	50	R 3/4"	138
43135337201	GHS 135-3-3720 A TEL. SİL.	155	150	180	GE 50 (Ø50)	60	193	1435	42	60	55	52	R 3/4"	143
43135338551	GHS 135-3-3855 A TEL. SİL.	155	150	180	GE 50 (Ø50)	60	193	1485	42	60	55	54	R 3/4"	147
43135339901	GHS 135-3-3990 A TEL. SİL.	155	150	180	GE 50 (Ø50)	60	193	1535	42	60	55	56	R 3/4"	151
43135341251	GHS 135-3-4125 A TEL. SİL.	155	150	180	GE 50 (Ø50)	60	193	1585	42	60	55	58	R 3/4"	155
43135342601	GHS 135-3-4260 A TEL. SİL.	155	150	180	GE 50 (Ø50)	60	193	1635	42	60	55	59	R 3/4"	159



ÜRÜN KODU PRODUCT CODE	TİP TYPE	ØA	L	L1	ØG1	ØB	C	M	S	D	R	LİTRE LİTER (dm ³)	YAĞ GİRİŞİ OIL INLET	AĞIRLIK WEIGHT (kg)
43135432801	GHS 135-4-3280 A TEL. SİL.	155	150	180	GE 50 (Ø50)	60	193	950	42	60	55	37	R 3/4"	114
43135436801	GHS 135-4-3680 A TEL. SİL.	155	150	180	GE 50 (Ø50)	60	193	1065	42	60	55	42	R 3/4"	123
43135441001	GHS 135-4-4100 A TEL. SİL.	155	150	180	GE 50 (Ø50)	60	193	1195	42	60	55	47	R 3/4"	135
43135442601	GHS 135-4-4260 A TEL. SİL.	155	150	180	GE 50 (Ø50)	60	193	1235	42	60	55	48	R 3/4"	139
43135444401	GHS 135-4-4440 A TEL. SİL.	155	150	180	GE 50 (Ø50)	60	193	1285	42	60	55	50	R 3/4"	124
43135446001	GHS 135-4-4600 A TEL. SİL.	155	150	180	GE 50 (Ø50)	60	193	1335	42	60	55	52	R 3/4"	128
43135447801	GHS 135-4-4780 A TEL. SİL.	155	150	180	GE 50 (Ø50)	60	193	1385	42	60	55	54	R 3/4"	133

ÜRÜN KODU PRODUCT CODE	TİP TYPE	ØA	L	L1	ØG1	ØB	C	M	S	D	R	LİTRE LİTER (dm ³)	YAĞ GİRİŞİ OIL INLET	AĞIRLIK WEIGHT (kg)
43155333301	GHS 155-3-3330 A TEL. SİL.	175	153	183	GE 50 (Ø50)	60	215	1283	42	60	60	61	R 3/4"	164
43155334501	GHS 155-3-3450 A TEL. SİL.	175	153	183	GE 50 (Ø50)	60	215	1333	42	60	60	63	R 3/4"	169
43155335851	GHS 155-3-3585 A TEL. SİL.	175	153	183	GE 50 (Ø50)	60	215	1383	42	60	60	66	R 3/4"	174
43155337201	GHS 155-3-3720 A TEL. SİL.	175	153	183	GE 50 (Ø50)	60	215	1433	42	60	60	68	R 3/4"	179
43155338551	GHS 155-3-3855 A TEL. SİL.	175	153	183	GE 50 (Ø50)	60	215	1483	42	60	60	71	R 3/4"	184
43155339901	GHS 155-3-3990 A TEL. SİL.	175	153	183	GE 50 (Ø50)	60	215	1533	42	60	60	73	R 3/4"	189
43155341251	GHS 155-3-4125 A TEL. SİL.	175	153	183	GE 50 (Ø50)	60	215	1583	42	60	60	76	R 3/4"	194
43155342601	GHS 155-3-4260 A TEL. SİL.	175	153	183	GE 50 (Ø50)	60	215	1633	42	60	60	78	R 3/4"	199

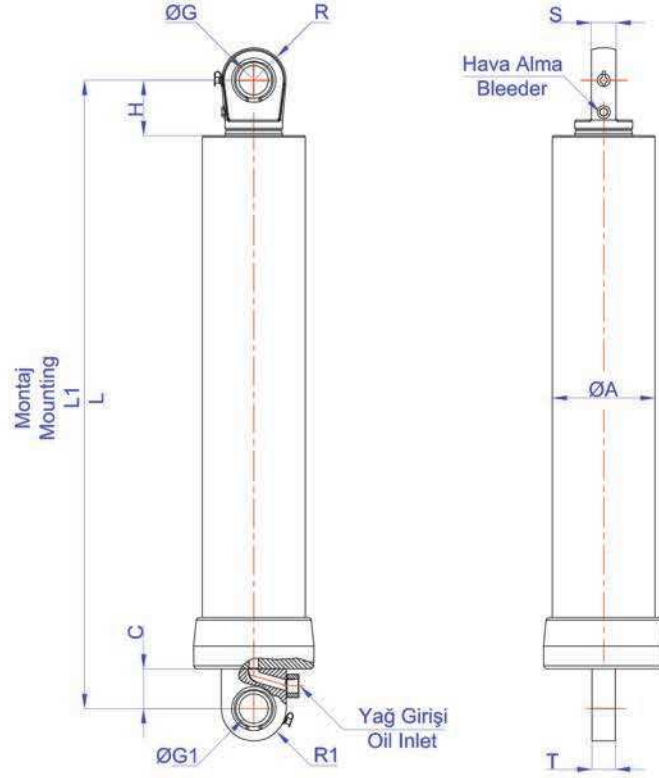
ÜRÜN KODU PRODUCT CODE	TİP TYPE	ØA	L	L1	ØG1	ØB	C	M	S	D	R	LİTRE LİTER (dm ³)	YAĞ GİRİŞİ OIL INLET	AĞIRLIK WEIGHT (kg)
43155436801	GHS 155-4-3680 A TEL. SİL.	175	153	183	GE 50 (Ø50)	60	215	1063	42	60	55	56	R 3/4"	155
43155441001	GHS 155-4-4100 A TEL. SİL.	175	153	183	GE 50 (Ø50)	60	215	1193	42	60	55	62	R 3/4"	170
43155442601	GHS 155-4-4260 A TEL. SİL.	175	153	183	GE 50 (Ø50)	60	215	1233	42	60	55	65	R 3/4"	174
43155444401	GHS 155-4-4440 A TEL. SİL.	175	153	183	GE 50 (Ø50)	60	215	1283	42	60	55	67	R 3/4"	180
43155446001	GHS 155-4-4600 A TEL. SİL.	175	153	183	GE 50 (Ø50)	60	215	1333	42	60	55	70	R 3/4"	186
43155447801	GHS 155-4-4780 A TEL. SİL.	175	153	183	GE 50 (Ø50)	60	215	1383	42	60	55	73	R 3/4"	192
43155449601	GHS 155-4-4960 A TEL. SİL.	175	153	183	GE 50 (Ø50)	60	215	1433	42	60	55	75	R 3/4"	199
43155451401	GHS 155-4-5140 A TEL. SİL.	175	153	183	GE 50 (Ø50)	60	215	1483	42	60	55	78	R 3/4"	203
43155453201	GHS 155-4-5320 TEL. SİL.	175	153	183	GE 50 (Ø50)	60	215	1533	42	60	55	81	R 3/4"	209
43155455001	GHS 155-4-5500 A TEL. SİL.	175	153	183	GE 50 (Ø50)	60	215	1583	42	60	55	84	R 3/4"	215
43155456801	GHS 155-4-5680 A TEL. SİL.	175	153	183	GE 50 (Ø50)	60	215	1633	42	60	55	86	R 3/4"	220
43155458601	GHS 155-4-5860 A TEL. SİL.	175	153	183	GE 50 (Ø50)	60	215	1683	42	60	55	89	R 3/4"	226
43155460401	GHS 155-4-6040 A TEL. SİL.	175	153	183	GE 50 (Ø50)	60	215	1733	42	60	55	92	R 3/4"	232

ÜRÜN KODU PRODUCT CODE	TİP TYPE	ØA	L	L1	ØG1	ØB	C	M	S	D	R	LİTRE LİTER (dm ³)	YAĞ GİRİŞİ OIL INLET	AĞIRLIK WEIGHT (kg)
43175441001	GHS 175-4-4100 A TEL. SİL.	197	155	185	GE 50 (Ø50)	60	240	1190	42	60	60	82	R1"	208
43175442601	GHS 175-4-4260 A TEL. SİL.	197	155	185	GE 50 (Ø50)	60	240	1230	42	60	60	86	R1"	214
43175444401	GHS 175-4-4440 A TEL. SİL.	197	155	185	GE 50 (Ø50)	60	240	1280	42	60	60	89	R1"	221
43175446001	GHS 175-4-4600 A TEL. SİL.	197	155	185	GE 50 (Ø50)	60	240	1330	42	60	60	92	R1"	228
43175447801	GHS 175-4-4780 A TEL. SİL.	197	155	185	GE 50 (Ø50)	60	240	1380	42	60	60	96	R1"	235
43175449601	GHS 175-4-4960 TEL. SİL.	197	155	185	GE 50 (Ø50)	60	240	1430	42	60	60	100	R1"	242
43175451401	GHS 175-4-5140 A TEL. SİL.	197	155	185	GE 50 (Ø50)	60	240	1480	42	60	60	103	R1"	249
43175453201	GHS 175-4-5320 A TEL. SİL.	197	155	185	GE 50 (Ø50)	60	240	1530	42	60	60	107	R1"	256
43175455001	GHS 175-4-5500 A TEL. SİL.	197	155	185	GE 50 (Ø50)	60	240	1580	42	60	60	111	R1"	263
43175456801	GHS 175-4-5680 A TEL. SİL.	197	155	185	GE 50 (Ø50)	60	240	1670	42	60	60	114	R1"	270
43175458601	GHS 175-4-5860 A TEL. SİL.	197	155	185	GE 50 (Ø50)	60	240	1680	42	60	60	118	R1"	277
43175460401	GHS 175-4-6040 A TEL. SİL.	197	155	185	GE 50 (Ø50)	60	240	1730	42	60	60	122	R1"	284



Gold Serisi B Tipi Gold Series Type B

Teknik Çizim | Technical Drawing



ÜRÜN KODU PRODUCT CODE	TİP TYPE	ØA	L	L1	ØG	ØG1	H	C	S	T	R	R1	LİTRE LİTER (dm ³)	YAĞ GİRİŞİ OIL INLET	AĞIRLIK WEIGHT (kg)
43116324702	GHS 116-3-2470 B TEL. SİL.	135	1180	1210	GE 50 (Ø50)	GE 50 (Ø50)	94	68	42	40	55	55	24	R 3/4"	83
43116327602	GHS 116-3-2760 B TEL. SİL.	135	1280	1310	GE 50 (Ø50)	GE 50 (Ø50)	94	68	42	40	55	55	27	R 3/4"	90
43116330752	GHS 116-3-3075 B TEL. SİL.	135	1410	1440	GE 50 (Ø50)	GE 50 (Ø50)	94	68	42	40	55	55	30	R 3/4"	99
43116331952	GHS 116-3-3195 B TEL. SİL.	135	1450	1480	GE 50 (Ø50)	GE 50 (Ø50)	94	68	42	40	55	55	32	R 3/4"	105

ÜRÜN KODU PRODUCT CODE	TİP TYPE	ØA	L	L1	ØG	ØG1	H	C	S	T	R	R1	LİTRE LİTER (dm ³)	YAĞ GİRİŞİ OIL INLET	AĞIRLIK WEIGHT (kg)
43135327602	GHS 135-3-2760 B TEL. SİL.	155	1282	1312	GE 50 (Ø50)	GE 50 (Ø50)	94	68	42	40	55	55	38	R 3/4"	110
43135330752	GHS 135-3-3075 B TEL. SİL.	155	1412	1442	GE 50 (Ø50)	GE 50 (Ø50)	94	68	42	40	55	55	43	R 3/4"	121
43135331952	GHS 135-3-3195 B TEL. SİL.	155	1452	1482	GE 50 (Ø50)	GE 50 (Ø50)	94	68	42	40	55	55	44	R 3/4"	124
43135333302	GHS 135-3-3330 B TEL. SİL.	155	1502	1532	GE 50 (Ø50)	GE 50 (Ø50)	94	68	42	40	55	55	46	R 3/4"	128
43135334502	GHS 135-3-3450 B TEL. SİL.	155	1552	1582	GE 50 (Ø50)	GE 50 (Ø50)	94	68	42	40	55	55	48	R 3/4"	132
43135335852	GHS 135-3-3585 B TEL. SİL.	155	1602	1632	GE 50 (Ø50)	GE 50 (Ø50)	94	68	42	40	55	55	50	R 3/4"	136
43135337202	GHS 135-3-3720 B TEL. SİL.	155	1652	1682	GE 50 (Ø50)	GE 50 (Ø50)	94	68	42	40	55	55	52	R 3/4"	141
43135338552	GHS 135-3-3855 B TEL. SİL.	155	1702	1732	GE 50 (Ø50)	GE 50 (Ø50)	94	68	42	40	55	55	54	R 3/4"	145
43135339902	GHS 135-3-3990 B TEL. SİL.	155	1752	1782	GE 50 (Ø50)	GE 50 (Ø50)	94	68	42	40	55	55	56	R 3/4"	149
43135341252	GHS 135-3-4125 B TEL. SİL.	155	1802	1832	GE 50 (Ø50)	GE 50 (Ø50)	94	68	42	40	55	55	58	R 3/4"	153
43135342602	GHS 135-3-4260 B TEL. SİL.	155	1852	1882	GE 50 (Ø50)	GE 50 (Ø50)	94	68	42	40	55	55	59	R 3/4"	157



ÜRÜN KODU PRODUCT CODE	TİP TYPE	ØA	L	L1	ØG	ØG1	H	C	S	T	R	R1	LİTRE LİTER (dm³)	YAĞ GİRİŞİ OIL INLET	AĞIRLIK WEIGHT (kg)
43135432802	GHS 135-4-3280 B TEL. SİL.	155	1182	1212	GE 50 (Ø50)	GE 50 (Ø50)	94	68	42	40	55	55	37	R 3/4"	112
43135436802	GHS 135-4-3680 B TEL. SİL.	155	1282	1312	GE 50 (Ø50)	GE 50 (Ø50)	94	68	42	40	55	55	42	R 3/4"	121
43135441002	GHS 135-4-4100 B TEL. SİL.	155	1412	1442	GE 50 (Ø50)	GE 50 (Ø50)	94	68	42	40	55	55	47	R 3/4"	133
43135442602	GHS 135-4-4260 B TEL. SİL.	155	1452	1482	GE 50 (Ø50)	GE 50 (Ø50)	94	68	42	40	55	55	48	R 3/4"	137
43135444402	GHS 135-4-4440 B TEL. SİL.	155	1502	1532	GE 50 (Ø50)	GE 50 (Ø50)	94	68	42	40	55	55	50	R 3/4"	142
43135446002	GHS 135-4-4600 B TEL. SİL.	155	1552	1582	GE 50 (Ø50)	GE 50 (Ø50)	94	68	42	40	55	55	52	R 3/4"	147
43135447802	GHS 135-4-4780 B TEL. SİL.	155	1602	1632	GE 50 (Ø50)	GE 50 (Ø50)	94	68	42	40	55	55	54	R 3/4"	152

ÜRÜN KODU PRODUCT CODE	TİP TYPE	ØA	L	L1	ØG	ØG1	H	C	S	T	R	R1	LİTRE LİTER (dm³)	YAĞ GİRİŞİ OIL INLET	AĞIRLIK WEIGHT (kg)
4315533302	GHS 155-3-3330 B TEL. SİL.	175	1502	1532	GE 50 (Ø50)	GE 50 (Ø50)	94	68	42	40	60	55	61	R 3/4"	157
43155334502	GHS 155-3-3450 B TEL. SİL.	175	1552	1582	GE 50 (Ø50)	GE 50 (Ø50)	94	68	42	40	60	55	63	R 3/4"	162
43155335852	GHS 155-3-3585 B TEL. SİL.	175	1602	1632	GE 50 (Ø50)	GE 50 (Ø50)	94	68	42	40	60	55	66	R 3/4"	167
43155337202	GHS 155-3-3720 B TEL. SİL.	175	1652	1682	GE 50 (Ø50)	GE 50 (Ø50)	94	68	42	40	60	55	68	R 3/4"	172
43155338552	GHS 155-3-3855 B TEL. SİL.	175	1702	1732	GE 50 (Ø50)	GE 50 (Ø50)	94	68	42	40	60	55	71	R 3/4"	177
43155339902	GHS 155-3-3990 B TEL. SİL.	175	1752	1782	GE 50 (Ø50)	GE 50 (Ø50)	94	68	42	40	60	55	73	R 3/4"	182
43155341252	GHS 155-3-4125 B TEL. SİL.	175	1802	1832	GE 50 (Ø50)	GE 50 (Ø50)	94	68	42	40	60	55	76	R 3/4"	187
43155342602	GHS 155-3-4260 B TEL. SİL.	175	1852	1882	GE 50 (Ø50)	GE 50 (Ø50)	94	68	42	40	60	55	78	R 3/4"	192

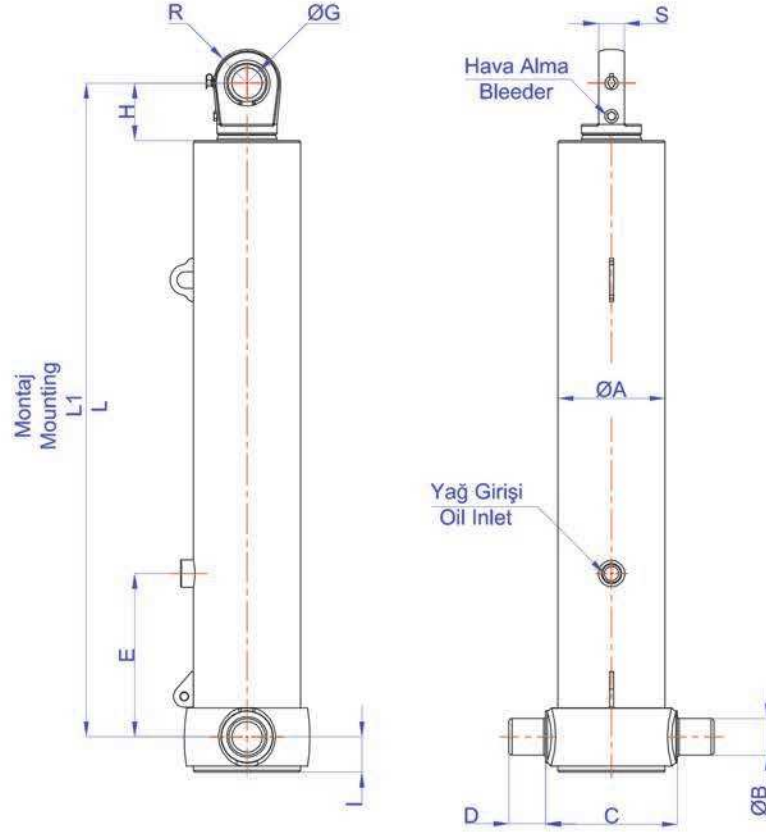
ÜRÜN KODU PRODUCT CODE	TİP TYPE	ØA	L	L1	ØG	ØG1	H	C	S	T	R	R1	LİTRE LİTER (dm³)	YAĞ GİRİŞİ OIL INLET	AĞIRLIK WEIGHT (kg)
43155436802	GHS 155-4-3680 B TEL. SİL.	175	1282	1312	GE 50 (Ø50)	GE 50 (Ø50)	94	68	42	40	55	55	56	R 3/4"	194
43155441002	GHS 155-4-4100 B TEL. SİL.	175	1412	1442	GE 50 (Ø50)	GE 50 (Ø50)	94	68	42	40	55	55	62	R 3/4"	164
43155442602	GHS 155-4-4260 B TEL. SİL.	175	1452	1482	GE 50 (Ø50)	GE 50 (Ø50)	94	68	42	40	55	55	65	R 3/4"	169
43155444402	GHS 155-4-4440 B TEL. SİL.	175	1502	1532	GE 50 (Ø50)	GE 50 (Ø50)	94	68	42	40	55	55	67	R 3/4"	175
43155446002	GHS 155-4-4600 B TEL. SİL.	175	1552	1582	GE 50 (Ø50)	GE 50 (Ø50)	94	68	42	40	55	55	70	R 3/4"	180
43155447802	GHS 155-4-4780 B TEL. SİL.	175	1602	1632	GE 50 (Ø50)	GE 50 (Ø50)	94	68	42	40	55	55	73	R 3/4"	186
43155449602	GHS 155-4-4960 B TEL. SİL.	175	1652	1682	GE 50 (Ø50)	GE 50 (Ø50)	94	68	42	40	55	55	75	R 3/4"	192
43155451402	GHS 155-4-5140 B TEL. SİL.	175	1702	1732	GE 50 (Ø50)	GE 50 (Ø50)	94	68	42	40	55	55	78	R 3/4"	198
43155453202	GHS 155-4-5320 B TEL. SİL.	175	1752	1782	GE 50 (Ø50)	GE 50 (Ø50)	94	68	42	40	55	55	81	R 3/4"	203
43155455002	GHS 155-4-5500 B TEL. SİL.	175	1802	1832	GE 50 (Ø50)	GE 50 (Ø50)	94	68	42	40	55	55	84	R 3/4"	209
43155456802	GHS 155-4-5680 B TEL. SİL.	175	1852	1882	GE 50 (Ø50)	GE 50 (Ø50)	94	68	42	40	55	55	86	R 3/4"	215
43155458602	GHS 155-4-5860 B TEL. SİL.	175	1902	1932	GE 50 (Ø50)	GE 50 (Ø50)	94	68	42	40	55	55	89	R 3/4"	221
43155460402	GHS 155-4-6040 B TEL. SİL.	175	1952	1982	GE 50 (Ø50)	GE 50 (Ø50)	94	68	42	40	55	55	92	R 3/4"	226

ÜRÜN KODU PRODUCT CODE	TİP TYPE	ØA	L	L1	ØG	ØG1	H	C	S	T	R	R1	LİTRE LİTER (dm³)	YAĞ GİRİŞİ OIL INLET	AĞIRLIK WEIGHT (kg)
43175441002	GHS 175-4-4100 B TEL. SİL.	197	1412	1442	GE 50 (Ø50)	GE 50 (Ø50)	94	68	42	40	60	55	82	R1"	199
43175442602	GHS 175-4-4260 B TEL. SİL.	197	1452	1482	GE 50 (Ø50)	GE 50 (Ø50)	94	68	42	40	60	55	86	R1"	205
43175444402	GHS 175-4-4440 B TEL. SİL.	197	1502	1532	GE 50 (Ø50)	GE 50 (Ø50)	94	68	42	40	60	55	89	R1"	212
43175446002	GHS 175-4-4600 B TEL. SİL.	197	1552	1582	GE 50 (Ø50)	GE 50 (Ø50)	94	68	42	40	60	55	92	R1"	219
43175447802	GHS 175-4-4780 B TEL. SİL.	197	1602	1632	GE 50 (Ø50)	GE 50 (Ø50)	94	68	42	40	60	55	96	R1"	226
43175449602	GHS 175-4-4960 B TEL. SİL.	197	1652	1682	GE 50 (Ø50)	GE 50 (Ø50)	94	68	42	40	60	55	100	R1"	233
43175451402	GHS 175-4-5140 B TEL. SİL.	197	1702	1732	GE 50 (Ø50)	GE 50 (Ø50)	94	68	42	40	60	55	103	R1"	240
43175453202	GHS 175-4-5320 B TEL. SİL.	197	1752	1782	GE 50 (Ø50)	GE 50 (Ø50)	94	68	42	40	60	55	107	R1"	247
43175455002	GHS 175-4-5500 B TEL. SİL.	197	1802	1832	GE 50 (Ø50)	GE 50 (Ø50)	94	68	42	40	60	55	111	R1"	254
43175456802	GHS 175-4-5680 B TEL. SİL.	197	1852	1882	GE 50 (Ø50)	GE 50 (Ø50)	94	68	42	40	60	55	114	R1"	261
43175458602	GHS 175-4-5860 B TEL. SİL.	197	1902	1932	GE 50 (Ø50)	GE 50 (Ø50)	94	68	42	40	60	55	118	R1"	268
43175460402	GHS 175-4-6040 B TEL. SİL.	197	1952	1982	GE 50 (Ø50)	GE 50 (Ø50)	94	68	42	40	60	55	122	R1"	275



Gold Serisi C Tipi Gold Series Type C

Teknik Çizim | Technical Drawing



ÜRÜN KODU PRODUCT CODE	TİP TYPE	ØA	L	L1	ØG	ØB	C	D	S	H	I	R	E	LİTRE LİTER (dm ³)	YAĞ GİRİŞİ OIL INLET	AĞIRLIK WEIGHT (kg)
43116324703	GHS 116-3-2470 C TEL. SİL.	135	1082	1112	GE 50 (Ø50)	60	170	60	42	94	55	55	350	23	R 3/4"	85
43116327603	GHS 116-3-2760 C TEL. SİL.	135	1182	1212	GE 50 (Ø50)	60	170	60	42	94	55	55	350	26	R 3/4"	92
43116330753	GHS 116-3-3075 C TEL. SİL.	135	1312	1342	GE 50 (Ø50)	60	170	60	42	94	55	55	350	29	R 3/4"	104
43116331953	GHS 116-3-3195 C TEL. SİL.	135	1352	1382	GE 50 (Ø50)	60	170	60	42	94	55	55	350	30	R 3/4"	107

ÜRÜN KODU PRODUCT CODE	TİP TYPE	ØA	L	L1	ØG	ØB	C	D	S	H	I	R	E	LİTRE LİTER (dm ³)	YAĞ GİRİŞİ OIL INLET	AĞIRLIK WEIGHT (kg)
43135327603	GHS 135-3-2760 C TEL. SİL.	155	1182	1212	GE 50 (Ø50)	60	193	60	42	94	55	55	350	37	R 3/4"	112
43135330753	GHS 135-3-3075 C TEL. SİL.	155	1312	1342	GE 50 (Ø50)	60	193	60	42	94	55	55	350	41	R 3/4"	123
43135331953	GHS 135-3-3195 C TEL. SİL.	155	1352	1382	GE 50 (Ø50)	60	193	60	42	94	55	55	350	43	R 3/4"	127
43135333303	GHS 135-3-3330 C TEL. SİL.	155	1402	1432	GE 50 (Ø50)	60	193	60	42	94	55	55	350	45	R 3/4"	131
43135334503	GHS 135-3-3450 C TEL. SİL.	155	1452	1482	GE 50 (Ø50)	60	193	60	42	94	55	55	350	47	R 3/4"	135
43135335853	GHS 135-3-3585 C TEL. SİL.	155	1502	1532	GE 50 (Ø50)	60	193	60	42	94	55	55	350	49	R 3/4"	139
43135337203	GHS 135-3-3720 C TEL. SİL.	155	1552	1582	GE 50 (Ø50)	60	193	60	42	94	55	55	350	50	R 3/4"	143
43135338553	GHS 135-3-3855 C TEL. SİL.	155	1602	1632	GE 50 (Ø50)	60	193	60	42	94	55	55	350	52	R 3/4"	147
43135339903	GHS 135-3-3990 C TEL. SİL.	155	1652	1682	GE 50 (Ø50)	60	193	60	42	94	55	55	350	54	R 3/4"	151
43135341253	GHS 135-3-4125 C TEL. SİL.	155	1702	1732	GE 50 (Ø50)	60	193	60	42	94	55	55	350	56	R 3/4"	155
43135342603	GHS 135-3-4260 C TEL. SİL.	155	1752	1782	GE 50 (Ø50)	60	193	60	42	94	55	55	350	58	R 3/4"	159



ÜRÜN KODU PRODUCT CODE	TİP TYPE	ØA	L	L1	ØG	ØB	C	D	S	H	I	R	E	LİTRE LİTER (dm³)	YAĞ GİRİŞİ OIL INLET	AĞIRLIK WEIGHT (kg)
43135432803	GHS 135-4-3280 C TEL. SİL.	155	1082	1112	GE 50 (Ø50)	60	193	60	42	94	55	55	350	36	R 3/4"	114
43135436803	GHS 135-4-3680 C TEL. SİL.	155	1182	1212	GE 50 (Ø50)	60	193	60	42	94	55	55	350	40	R 3/4"	124
43135441003	GHS 135-4-4100 C TEL. SİL.	155	1312	1342	GE 50 (Ø50)	60	193	60	42	94	55	55	350	45	R 3/4"	136
43135442603	GHS 135-4-4260 C TEL. SİL.	155	1352	1382	GE 50 (Ø50)	60	193	60	42	94	55	55	350	47	R 3/4"	140
43135444403	GHS 135-4-4440 C TEL. SİL.	155	1402	1432	GE 50 (Ø50)	60	193	60	42	94	55	55	350	49	R 3/4"	143

ÜRÜN KODU PRODUCT CODE	TİP TYPE	ØA	L	L1	ØG	ØB	C	D	S	H	I	R	E	LİTRE LİTER (dm³)	YAĞ GİRİŞİ OIL INLET	AĞIRLIK WEIGHT (kg)
43155333303	GHS 155-3-3330 C TEL. SİL.	175	1400	1430	GE 50 (Ø50)	60	215	60	42	94	58	60	350	61	R 1"	161
43155334503	GHS 155-3-3450 C TEL. SİL.	175	1450	1480	GE 50 (Ø50)	60	215	60	42	94	58	60	350	63	R 1"	166
43155335853	GHS 155-3-3585 C TEL. SİL.	175	1500	1530	GE 50 (Ø50)	60	215	60	42	94	58	60	350	66	R 1"	171
43155337203	GHS 155-3-3720 C TEL. SİL.	175	1550	1580	GE 50 (Ø50)	60	215	60	42	94	58	60	350	68	R 1"	176
43155338553	GHS 155-3-3855 C TEL. SİL.	175	1600	1630	GE 50 (Ø50)	60	215	60	42	94	58	60	350	71	R 1"	181
43155339903	GHS 155-3-3990 C TEL. SİL.	175	1650	1680	GE 50 (Ø50)	60	215	60	42	94	58	60	350	73	R 1"	186
43155341253	GHS 155-3-4125 C TEL. SİL.	175	1700	1730	GE 50 (Ø50)	60	215	60	42	94	58	60	350	76	R 1"	191
43155342603	GHS 155-3-4260 C TEL. SİL.	175	1750	1780	GE 50 (Ø50)	60	215	60	42	94	58	60	350	78	R 1"	196

ÜRÜN KODU PRODUCT CODE	TİP TYPE	ØA	L	L1	ØG	ØB	C	D	S	H	I	R	E	LİTRE LİTER (dm³)	YAĞ GİRİŞİ OIL INLET	AĞIRLIK WEIGHT (kg)
43155436803	GHS 155-4-3680 C TEL. SİL.	175	1180	1210	GE 50 (Ø50)	60	215	60	42	94	58	55	350	56	R 1"	153
43155441003	GHS 155-4-4100 C TEL. SİL.	175	1310	1340	GE 50 (Ø50)	60	215	60	42	94	58	55	350	62	R 1"	168
43155442603	GHS 155-4-4260 C TEL. SİL.	175	1350	1380	GE 50 (Ø50)	60	215	60	42	94	58	55	350	65	R 1"	173
43155444403	GHS 155-4-4440 C TEL. SİL.	175	1400	1430	GE 50 (Ø50)	60	215	60	42	94	58	55	350	67	R 1"	179
43155446003	GHS 155-4-4600 C TEL. SİL.	175	1450	1480	GE 50 (Ø50)	60	215	60	42	94	58	55	350	70	R 1"	184
43155447803	GHS 155-4-4780 C TEL. SİL.	175	1500	1530	GE 50 (Ø50)	60	215	60	42	94	58	55	350	73	R 1"	190
43155449603	GHS 155-4-4960 C TEL. SİL.	175	1550	1580	GE 50 (Ø50)	60	215	60	42	94	58	55	350	75	R 1"	196
43155451403	GHS 155-4-5140 C TEL. SİL.	175	1600	1630	GE 50 (Ø50)	60	215	60	42	94	58	55	350	78	R 1"	202
43155453203	GHS 155-4-5320 C TEL. SİL.	175	1650	1680	GE 50 (Ø50)	60	215	60	42	94	58	55	350	81	R 1"	207
43155455003	GHS 155-4-5500 C TEL. SİL.	175	1700	1730	GE 50 (Ø50)	60	215	60	42	94	58	55	350	84	R 1"	213

ÜRÜN KODU PRODUCT CODE	TİP TYPE	ØA	L	L1	ØG	ØB	C	D	S	H	I	R	E	LİTRE LİTER (dm³)	YAĞ GİRİŞİ OIL INLET	AĞIRLIK WEIGHT (kg)
43175441003	GHS 175-4-4100 C TEL. SİL.	197	1310	1340	GE 50 (Ø50)	60	240	60	42	94	60	60	350	82	R 1"	206
43175442603	GHS 175-4-4260 C TEL. SİL.	197	1350	1380	GE 50 (Ø50)	60	240	60	42	94	60	60	350	86	R 1"	212
43175444403	GHS 175-4-4440 C TEL. SİL.	197	1400	1430	GE 50 (Ø50)	60	240	60	42	94	60	60	350	89	R 1"	219
43175446003	GHS 175-4-4600 C TEL. SİL.	197	1450	1480	GE 50 (Ø50)	60	240	60	42	94	60	60	350	92	R 1"	226
43175447803	GHS 175-4-4780 C TEL. SİL.	197	1500	1530	GE 50 (Ø50)	60	240	60	42	94	60	60	350	96	R 1"	233
43175449603	GHS 175-4-4960 C TEL. SİL.	197	1550	1580	GE 50 (Ø50)	60	240	60	42	94	60	60	350	100	R 1"	240
43175451403	GHS 175-4-5140 C TEL. SİL.	197	1600	1630	GE 50 (Ø50)	60	240	60	42	94	60	60	350	103	R 1"	247
43175453203	GHS 175-4-5320 C TEL. SİL.	197	1650	1680	GE 50 (Ø50)	60	240	60	42	94	60	60	350	107	R 1"	254
43175455003	GHS 175-4-5500 C TEL. SİL.	197	1700	1730	GE 50 (Ø50)	60	240	60	42	94	60	60	350	111	R 1"	261
43175456803	GHS 175-4-5680 C TEL. SİL.	197	1750	1780	GE 50 (Ø50)	60	240	60	42	94	60	60	350	114	R 1"	268
43175458603	GHS 175-4-5860 C TEL. SİL.	197	1800	1830	GE 50 (Ø50)	60	240	60	42	94	60	60	350	118	R 1"	275
43175460403	GHS 175-4-6040 C TEL. SİL.	197	1850	1880	GE 50 (Ø50)	60	240	60	42	94	60	60	350	122	R 1"	282
43175462203	GHS 175-4-6220 C TEL. SİL.	197	1900	1930	GE 50 (Ø50)	60	240	60	42	94	60	60	350	125	R 1"	289
43175464003	GHS 175-4-6400 C TEL. SİL.	197	1950	1980	GE 50 (Ø50)	60	240	60	42	94	60	60	350	129	R 1"	296
43175465803	GHS 175-4-6580 C TEL. SİL.	197	2000	2030	GE 50 (Ø50)	60	240	60	42	94	60	60	350	132	R 1"	303
43175467603	GHS 175-4-6760 C TEL. SİL.	197	2050	2080	GE 50 (Ø50)	60	240	60	42	94	60	60	350	136	R 1"	310
43175469403	GHS 175-4-6940 C TEL. SİL.	197	2100	2130	GE 50 (Ø50)	60	240	60	42	94	60	60	350	140	R 1"	317



Gold Serisi C Tipi Gold Series Type C

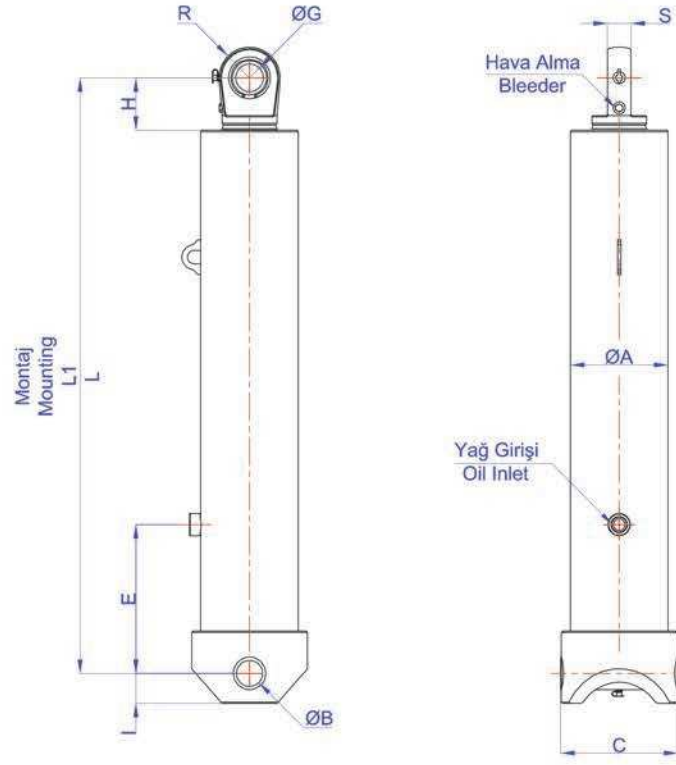
ÜRÜN KODU PRODUCT CODE	TİP TYPE	ØA	L	L1	ØG	ØB	C	D	S	H	I	R	E	LİTRE LİTER (dm ³)	YAĞ GİRİŞİ OIL INLET	AĞIRLIK WEIGHT (kg)
43175551253	GHS 175-5-5125 C TEL. SİL.	197	1310	1340	GE 50 (Ø50)	60	240	60	42	94	60	55	350	88	R 1"	223
43175553253	GHS 175-5-5325 C TEL. SİL.	197	1350	1380	GE 50 (Ø50)	60	240	60	42	94	60	55	350	92	R 1"	229
43175555503	GHS 175-5-5550 C TEL. SİL.	197	1400	1430	GE 50 (Ø50)	60	240	60	42	94	60	55	350	95	R 1"	237
43175557503	GHS 175-5-5750 C TEL. SİL.	197	1450	1480	GE 50 (Ø50)	60	240	60	42	94	60	55	350	99	R 1"	244
43175559753	GHS 175-5-5975 C TEL. SİL.	197	1500	1530	GE 50 (Ø50)	60	240	60	42	94	60	55	350	103	R 1"	252
43175562003	GHS 175-5-6200 C TEL. SİL.	197	1550	1580	GE 50 (Ø50)	60	240	60	42	94	60	55	350	107	R 1"	260
43175564253	GHS 175-5-6425 C TEL. SİL.	197	1600	1630	GE 50 (Ø50)	60	240	60	42	94	60	55	350	111	R 1"	268
43175566503	GHS 175-5-6650 C TEL. SİL.	197	1650	1680	GE 50 (Ø50)	60	240	60	42	94	60	55	350	115	R 1"	275
43175568753	GHS 175-5-6875 C TEL. SİL.	197	1700	1730	GE 50 (Ø50)	60	240	60	42	94	60	55	350	119	R 1"	283
43175571003	GHS 175-5-7100 C TEL. SİL.	197	1750	1780	GE 50 (Ø50)	60	240	60	42	94	60	55	350	122	R 1"	291
43175573253	GHS 175-5-7325 C TEL. SİL.	197	1800	1830	GE 50 (Ø50)	60	240	60	42	94	60	55	350	126	R 1"	298
43175575503	GHS 175-5-7550 C TEL. SİL.	197	1850	1880	GE 50 (Ø50)	60	240	60	42	94	60	55	350	130	R 1"	306
43175577753	GHS 175-5-7775 C TEL. SİL.	197	1900	1930	GE 50 (Ø50)	60	240	60	42	94	60	55	350	133	R 1"	313
43175580003	GHS 175-5-8000 C TEL. SİL.	197	1950	1980	GE 50 (Ø50)	60	240	60	42	94	60	55	350	138	R 1"	321
43175582253	GHS 175-5-8225 C TEL. SİL.	197	2000	2030	GE 50 (Ø50)	60	240	60	42	94	60	55	350	142	R 1"	328
43175584503	GHS 175-5-8450 C TEL. SİL.	197	2050	2080	GE 50 (Ø50)	60	240	60	42	94	60	55	350	145	R 1"	335
43175586753	GHS 175-5-8675 C TEL. SİL.	197	2100	2130	GE 50 (Ø50)	60	240	60	42	94	60	55	350	150	R 1"	343

ÜRÜN KODU PRODUCT CODE	TİP TYPE	ØA	L	L1	ØG	ØB	C	D	S	H	I	R	E	LİTRE LİTER (dm ³)	YAĞ GİRİŞİ OIL INLET	AĞIRLIK WEIGHT (kg)
43197551253	GHS 197-5-5125 C TEL. SİL.	220	1310	1340	GE 60 (Ø60)	65	265	60	52	94	65	60	350	115	R 1"	265
43197553253	GHS 197-5-5325 C TEL. SİL.	220	1350	1380	GE 60 (Ø60)	65	265	60	52	94	65	60	350	120	R 1"	275
43197555503	GHS 197-5-5550 C TEL. SİL.	220	1400	1430	GE 60 (Ø60)	65	265	60	52	94	65	60	350	125	R 1"	285
43197557503	GHS 197-5-5750 C TEL. SİL.	220	1450	1480	GE 60 (Ø60)	65	265	60	52	94	65	60	350	129	R 1"	294
43197559753	GHS 197-5-5975 C TEL. SİL.	220	1500	1530	GE 60 (Ø60)	65	265	60	52	94	65	60	350	134	R 1"	303
43197562003	GHS 197-5-6200 C TEL. SİL.	220	1550	1580	GE 60 (Ø60)	65	265	60	52	94	65	60	350	139	R 1"	313
43197564253	GHS 197-5-6425 C TEL. SİL.	220	1600	1630	GE 60 (Ø60)	65	265	60	52	94	65	60	350	145	R 1"	322
43197566503	GHS 197-5-6650 C TEL. SİL.	220	1650	1680	GE 60 (Ø60)	65	265	60	52	94	65	60	350	150	R 1"	332
43197568753	GHS 197-5-6875 C TEL. SİL.	220	1700	1730	GE 60 (Ø60)	65	265	60	52	94	65	60	350	155	R 1"	341
43197571003	GHS 197-5-7100 C TEL. SİL.	220	1750	1780	GE 60 (Ø60)	65	265	60	52	94	65	60	350	160	R 1"	350
43197573253	GHS 197-5-7325 C TEL. SİL.	220	1800	1830	GE 60 (Ø60)	65	265	60	52	94	65	60	350	165	R 1"	360
43197575503	GHS 197-5-7550 C TEL. SİL.	220	1850	1880	GE 60 (Ø60)	65	265	60	52	94	65	60	350	170	R 1"	370
43197577753	GHS 197-5-7775 C TEL. SİL.	220	1900	1930	GE 60 (Ø60)	65	265	60	52	94	65	60	350	175	R 1"	379
43197580003	GHS 197-5-8000 C TEL. SİL.	220	1950	1980	GE 60 (Ø60)	65	265	60	52	94	65	60	350	180	R 1"	389
43197582253	GHS 197-5-8225 C TEL. SİL.	220	2000	2030	GE 60 (Ø60)	65	265	60	52	94	65	60	350	185	R 1"	398
43197584503	GHS 197-5-8450 C TEL. SİL.	220	2050	2080	GE 60 (Ø60)	65	265	60	52	94	65	60	350	190	R 1"	408
43197586753	GHS 197-5-8675 C TEL. SİL.	220	2100	2130	GE 60 (Ø60)	65	265	60	52	94	65	60	350	196	R 1"	418

ÜRÜN KODU PRODUCT CODE	TİP TYPE	ØA	L	L1	ØG	ØB	C	D	S	H	I	R	E	LİTRE LİTER (dm ³)	YAĞ GİRİŞİ OIL INLET	AĞIRLIK WEIGHT (kg)
43220555503	GHS 220-5-5550 C TEL. SİL.	245	1395	1425	GE 60 (Ø60)	70	290	60	52	98	80	60	350	160	R 1"	359
43220557503	GHS 220-5-5750 C TEL. SİL.	245	1445	1475	GE 60 (Ø60)	70	290	60	52	98	80	60	350	165	R 1"	371
43220559753	GHS 220-5-5975 C TEL. SİL.	245	1495	1525	GE 60 (Ø60)	70	290	60	52	98	80	60	350	172	R 1"	382
43220562003	GHS 220-5-6200 C TEL. SİL.	245	1545	1575	GE 60 (Ø60)	70	290	60	52	98	80	60	350	178	R 1"	395
43220564253	GHS 220-5-6425 C TEL. SİL.	245	1595	1625	GE 60 (Ø60)	70	290	60	52	98	80	60	350	185	R 1"	405
43220566503	GHS 220-5-6650 C TEL. SİL.	245	1645	1675	GE 60 (Ø60)	70	290	60	52	98	80	60	350	191	R 1"	416
43220568753	GHS 220-5-6875 C TEL. SİL.	245	1695	1725	GE 60 (Ø60)	70	290	60	52	98	80	60	350	198	R 1"	427
43220571003	GHS 220-5-7100 C TEL. SİL.	245	1745	1775	GE 60 (Ø60)	70	290	60	52	98	80	60	350	205	R 1"	439
43220573253	GHS 220-5-7325 C TEL. SİL.	245	1795	1825	GE 60 (Ø60)	70	290	60	52	98	80	60	350	211	R 1"	450
43220575503	GHS 220-5-7550 C TEL. SİL.	245	1845	1875	GE 60 (Ø60)	70	290	60	52	98	80	60	350	218	R 1"	461
43220577753	GHS 220-5-7775 C TEL. SİL.	245	1895	1925	GE 60 (Ø60)	70	290	60	52	98	80	60	350	224	R 1"	472
43220580003	GHS 220-5-8000 C TEL. SİL.	245	1945	1975	GE 60 (Ø60)	70	290	60	52	98	80	60	350	231	R 1"	484
43220582253	GHS 220-5-8225 C TEL. SİL.	245	1995	2025	GE 60 (Ø60)	70	290	60	52	98	80	60	350	237	R 1"	497
43220584503	GHS 220-5-8450 C TEL. SİL.	245	2045	2075	GE 60 (Ø60)	70	290	60	52	98	80	60	350	243	R 1"	507
43220586753	GHS 220-5-8675 C TEL. SİL.	245	2095	2125	GE 60 (Ø60)	70	290	60	52	98	80	60	350	250	R 1"	518



Teknik Çizim | Technical Drawing



ÜRÜN KODU PRODUCT CODE	TİP TYPE	ØA	L	L1	ØG	ØB	C	H	I	R	S	E	LİTRE LİTER (dm ³)	YAĞ GİRİŞİ OIL INLET	AĞIRLIK WEIGHT (kg)
43135432805	GHS 135-4-3280 E TEL. SİL.	155	1186	1216	GE 50 (Ø50)	51	193	94	54	55	42	300	36	R 3/4"	115
43135436805	GHS 135-4-3680 E TEL. SİL.	155	1286	1316	GE 50 (Ø50)	51	193	94	54	55	42	300	40	R 3/4"	124
43135441005	GHS 135-4-4100 E TEL. SİL.	155	1416	1446	GE 50 (Ø50)	51	193	94	54	55	42	300	45	R 3/4"	136
43135442605	GHS 135-4-4260 E TEL. SİL.	155	1456	1486	GE 50 (Ø50)	51	193	94	54	55	42	300	47	R 3/4"	140
43135444405	GHS 135-4-4440 E TEL. SİL.	155	1506	1536	GE 50 (Ø50)	51	193	94	54	55	42	300	49	R 3/4"	143
43135446005	GHS 135-4-4600 E TEL. SİL.	155	1556	1586	GE 50 (Ø50)	51	193	94	54	55	42	300	51	R 3/4"	150
43135447805	GHS 135-4-4780 E TEL. SİL.	155	1606	1636	GE 50 (Ø50)	51	193	94	54	55	42	300	53	R 3/4"	154

ÜRÜN KODU PRODUCT CODE	TİP TYPE	ØA	L	L1	ØG	ØB	C	H	I	R	S	E	LİTRE LİTER (dm ³)	YAĞ GİRİŞİ OIL INLET	AĞIRLIK WEIGHT (kg)
43155436805	GHS 155-4-3680 E TEL. SİL.	175	1291	1321	GE 50 (Ø50)	51	213	94	58	60	42	300	56	R 1"	153
43155441005	GHS 155-4-4100 E TEL. SİL.	175	1421	1451	GE 50 (Ø50)	51	213	94	58	60	42	300	62	R 1"	168
43155442605	GHS 155-4-4260 E TEL. SİL.	175	1461	1491	GE 50 (Ø50)	51	213	94	58	60	42	300	65	R 1"	172
43155444405	GHS 155-4-4440 E TEL. SİL.	175	1511	1541	GE 50 (Ø50)	51	213	94	58	60	42	300	67	R 1"	178
43155446005	GHS 155-4-4600 E TEL. SİL.	175	1561	1591	GE 50 (Ø50)	51	213	94	58	60	42	300	70	R 1"	184
43155447805	GHS 155-4-4780 E TEL. SİL.	175	1611	1641	GE 50 (Ø50)	51	213	94	58	60	42	300	73	R 1"	190
43155449605	GHS 155-4-4960 E TEL. SİL.	175	1661	1691	GE 50 (Ø50)	51	213	94	58	60	42	300	75	R 1"	195
43155451405	GHS 155-4-5140 E TEL. SİL.	175	1711	1741	GE 50 (Ø50)	51	213	94	58	60	42	300	78	R 1"	201
43155453205	GHS 155-4-5320 E TEL. SİL.	175	1761	1791	GE 50 (Ø50)	51	213	94	58	60	42	300	81	R 1"	207
43155455005	GHS 155-4-5500 E TEL. SİL.	175	1811	1841	GE 50 (Ø50)	51	213	94	58	60	42	300	84	R 1"	213
43155456805	GHS 155-4-5680 E TEL. SİL.	175	1861	1891	GE 50 (Ø50)	51	213	94	58	60	42	300	86	R 1"	218
43155458605	GHS 155-4-5860 E TEL. SİL.	175	1911	1941	GE 50 (Ø50)	51	213	94	58	60	42	300	89	R 1"	224
43155460405	GHS 155-4-6040 E TEL. SİL.	175	1961	1991	GE 50 (Ø50)	51	213	94	58	60	42	300	92	R 1"	230



Gold Serisi E Tipi Gold Series Type E

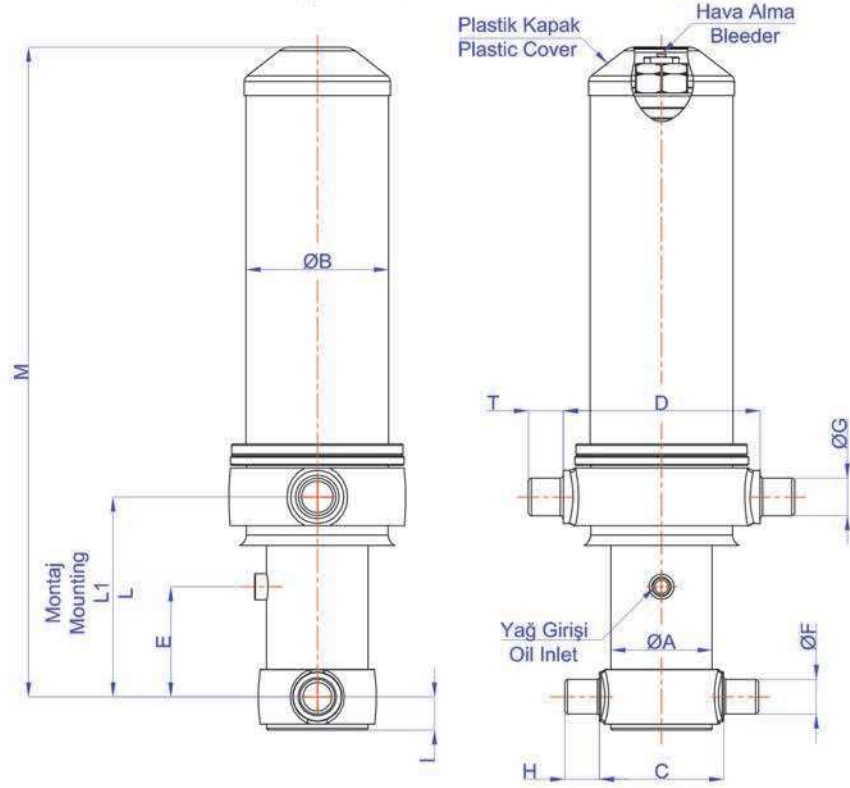
ÜRÜN KODU PRODUCT CODE	TİP TYPE	ØA	L	L1	ØG	ØB	C	H	I	R	S	E	LİTRE LİTER (dm ³)	YAĞ GİRİŞİ OIL INLET	AĞIRLIK WEIGHT (kg)
43175441005	GHS 175-4-4100 E TEL. SİL.	197	1425	1455	GE 50 (Ø50)	51	236	94	61	60	42	300	89	R 1"	207
43175442605	GHS 175-4-4260 E TEL. SİL.	197	1465	1495	GE 50 (Ø50)	51	236	94	61	60	42	300	92	R 1"	213
43175444405	GHS 175-4-4440 E TEL. SİL.	197	1515	1545	GE 50 (Ø50)	51	236	94	61	60	42	300	95	R 1"	220
43175446005	GHS 175-4-4600 E TEL. SİL.	197	1565	1595	GE 50 (Ø50)	51	236	94	61	60	42	300	99	R 1"	227
43175447805	GHS 175-4-4780 E TEL. SİL.	197	1615	1645	GE 50 (Ø50)	51	236	94	61	60	42	300	103	R 1"	234
43175449605	GHS 175-4-4960 E TEL. SİL.	197	1665	1695	GE 50 (Ø50)	51	236	94	61	60	42	300	106	R 1"	241
43175451405	GHS 175-4-5140 E TEL. SİL.	197	1715	1745	GE 50 (Ø50)	51	236	94	61	60	42	300	110	R 1"	248
43175453205	GHS 175-4-5320 E TEL. SİL.	197	1765	1795	GE 50 (Ø50)	51	236	94	61	60	42	300	111	R 1"	255
43175455005	GHS 175-4-5500 E TEL. SİL.	197	1815	1845	GE 50 (Ø50)	51	236	94	61	60	42	300	113	R 1"	262
43175456805	GHS 175-4-5680 E TEL. SİL.	197	1865	1895	GE 50 (Ø50)	51	236	94	61	60	42	300	114	R 1"	269
43175458605	GHS 175-4-5860 E TEL. SİL.	197	1915	1945	GE 50 (Ø50)	51	236	94	61	60	42	300	118	R 1"	276
43175460405	GHS 175-4-6040 E TEL. SİL.	197	1965	1995	GE 50 (Ø50)	51	236	94	61	60	42	300	122	R 1"	283

ÜRÜN KODU PRODUCT CODE	TİP TYPE	ØA	L	L1	ØG	ØB	C	H	I	R	S	E	LİTRE LİTER (dm ³)	YAĞ GİRİŞİ OIL INLET	AĞIRLIK WEIGHT (kg)
43175551255	GHS 175-5-5125 E TEL. SİL.	197	1425	1455	GE 50 (Ø50)	51	236	94	61	55	42	300	88	R 1"	223
43175553255	GHS 175-5-5325 E TEL. SİL.	197	1465	1495	GE 50 (Ø50)	51	236	94	61	55	42	300	92	R 1"	229
43175555505	GHS 175-5-5550 E TEL. SİL.	197	1515	1545	GE 50 (Ø50)	51	236	94	61	55	42	300	95	R 1"	237
43175557505	GHS 175-5-5750 E TEL. SİL.	197	1565	1595	GE 50 (Ø50)	51	236	94	61	55	42	300	99	R 1"	245
43175559755	GHS 175-5-5975 E TEL. SİL.	197	1615	1645	GE 50 (Ø50)	51	236	94	61	55	42	300	103	R 1"	252
43175562005	GHS 175-5-6200 E TEL. SİL.	197	1665	1695	GE 50 (Ø50)	51	236	94	61	55	42	300	107	R 1"	260
43175564255	GHS 175-5-6425 E TEL. SİL.	197	1715	1745	GE 50 (Ø50)	51	236	94	61	55	42	300	111	R 1"	268
43175566505	GHS 175-5-6650 E TEL. SİL.	197	1765	1795	GE 50 (Ø50)	51	236	94	61	55	42	300	115	R 1"	275
43175568755	GHS 175-5-6875 E TEL. SİL.	197	1815	1845	GE 50 (Ø50)	51	236	94	61	55	42	300	119	R 1"	283
43175571005	GHS 175-5-7100 E TEL. SİL.	197	1865	1895	GE 50 (Ø50)	51	236	94	61	55	42	300	122	R 1"	291
43175573255	GHS 175-5-7325 E TEL. SİL.	197	1915	1945	GE 50 (Ø50)	51	236	94	61	55	42	300	126	R 1"	299
43175575505	GHS 175-5-7550 E TEL. SİL.	197	1965	1995	GE 50 (Ø50)	51	236	94	61	55	42	300	130	R 1"	306

ÜRÜN KODU PRODUCT CODE	TİP TYPE	ØA	L	L1	ØG	ØB	C	H	I	R	S	E	LİTRE LİTER (dm ³)	YAĞ GİRİŞİ OIL INLET	AĞIRLIK WEIGHT (kg)
43197551255	GHS 197-5-5125 E TEL. SİL.	220	1436	1466	GE 60 (Ø60)	61	260	94	61	60	52	300	115	R 1"	268
43197553255	GHS 197-5-5325 E TEL. SİL.	220	1476	1506	GE 60 (Ø60)	61	260	94	61	60	52	300	120	R 1"	278
43197555505	GHS 197-5-5550 E TEL. SİL.	220	1526	1556	GE 60 (Ø60)	61	260	94	61	60	52	300	125	R 1"	288
43197557505	GHS 197-5-5750 E TEL. SİL.	220	1576	1606	GE 60 (Ø60)	61	260	94	61	60	52	300	129	R 1"	297
43197559755	GHS 197-5-5975 E TEL. SİL.	220	1626	1656	GE 60 (Ø60)	61	260	94	61	60	52	300	134	R 1"	307
43197562005	GHS 197-5-6200 E TEL. SİL.	220	1676	1706	GE 60 (Ø60)	61	260	94	61	60	52	300	139	R 1"	316
43197564255	GHS 197-5-6425 E TEL. SİL.	220	1726	1756	GE 60 (Ø60)	61	260	94	61	60	52	300	145	R 1"	326
43197566505	GHS 197-5-6650 E TEL. SİL.	220	1776	1806	GE 60 (Ø60)	61	260	94	61	60	52	300	150	R 1"	335
43197568755	GHS 197-5-6875 E TEL. SİL.	220	1826	1856	GE 60 (Ø60)	61	260	94	61	60	52	300	155	R 1"	344
43197571005	GHS 197-5-7100 E TEL. SİL.	220	1876	1906	GE 60 (Ø60)	61	260	94	61	60	52	300	160	R 1"	354
43197573255	GHS 197-5-7325 E TEL. SİL.	220	1926	1956	GE 60 (Ø60)	61	260	94	61	60	52	300	165	R 1"	363
43197575505	GHS 197-5-7550 E TEL. SİL.	220	1976	2006	GE 60 (Ø60)	61	260	94	61	60	52	300	170	R 1"	372



Teknik Çizim | Technical Drawing



ÜRÜN KODU PRODUCT CODE	TİP TYPE	ØA	ØB	L	L1	ØG	ØF	D	C	T	H	M	I	E	LİTRE LİTER (dm ³)	YAĞ GİRİŞİ OIL INLET	AĞIRLIK WEIGHT (kg)
43135327606	GHS 135-3-2760 H TEL.SİL.	155	219	343	373	65	60	283	193	60	60	1215	55	190	37	R 3/4"	178
43135337206	GHS 135-3-3720 H TEL.SİL.	155	219	343	373	65	60	283	193	60	60	1585	55	190	50	R 3/4"	218
43135342606	GHS 135-3-4260 H TEL.SİL.	155	219	343	373	65	60	283	193	60	60	1785	55	190	58	R 3/4"	244

ÜRÜN KODU PRODUCT CODE	TİP TYPE	ØA	ØB	L	L1	ØG	ØF	D	C	T	H	M	I	E	LİTRE LİTER (dm ³)	YAĞ GİRİŞİ OIL INLET	AĞIRLIK WEIGHT (kg)
43135441006	GHS 135-4-4100 H TEL.SİL.	155	219	343	373	65	60	283	193	60	60	1345	55	190	45	R 3/4"	205

ÜRÜN KODU PRODUCT CODE	TİP TYPE	ØA	ØB	L	L1	ØG	ØF	D	C	T	H	M	I	E	LİTRE LİTER (dm ³)	YAĞ GİRİŞİ OIL INLET	AĞIRLIK WEIGHT (kg)
43155339906	GHS 155-3-3990 H TEL.SİL.	175	242	343	373	65	60	340	215	60	60	1685	55	190	73	R 1"	254
43155341256	GHS 155-3-4125 H TEL.SİL.	175	242	343	373	65	60	340	215	60	60	1735	55	190	76	R 1"	261

ÜRÜN KODU PRODUCT CODE	TİP TYPE	ØA	ØB	L	L1	ØG	ØF	D	C	T	H	M	I	E	LİTRE LİTER (dm ³)	YAĞ GİRİŞİ OIL INLET	AĞIRLIK WEIGHT (kg)
43155436806	GHS 155-4-3680 H TEL.SİL.	175	242	343	373	65	60	340	215	60	60	1215	57,5	190	55	R 1"	206
43155444406	GHS 155-4-4440 H TEL.SİL.	175	242	343	373	65	60	340	215	60	60	1435	57,5	190	67	R 1"	239
43155455006	GHS 155-4-5500 H TEL.SİL.	175	242	343	373	65	60	340	215	60	60	1735	57,5	190	84	R 1"	263
43155460406	GHS 155-4-6040 H TEL.SİL.	175	242	343	373	65	60	340	215	60	60	1885	57,5	190	92	R 1"	284
43155462206	GHS 155-4-6220 H TEL.SİL.	175	242	343	373	65	60	340	215	60	60	1935	57,5	190	95	R 1"	292
43155464006	GHS 155-4-6400 H TEL.SİL.	175	242	343	373	65	60	340	215	60	60	1985	57,5	190	97	R 1"	307
43155465806	GHS 155-4-6580 H TEL.SİL.	175	242	343	373	65	60	340	215	60	60	2035	57,5	190	100	R 1"	322
43155467606	GHS 155-4-6760 H TEL.SİL.	175	242	343	373	65	60	340	215	60	60	2085	57,5	190	103	R 1"	340
43155469406	GHS 155-4-6940 H TEL.SİL.	175	242	343	373	65	60	340	215	60	60	2135	57,5	190	106	R 1"	357



Gold Serisi H tipi Gold Series Type H

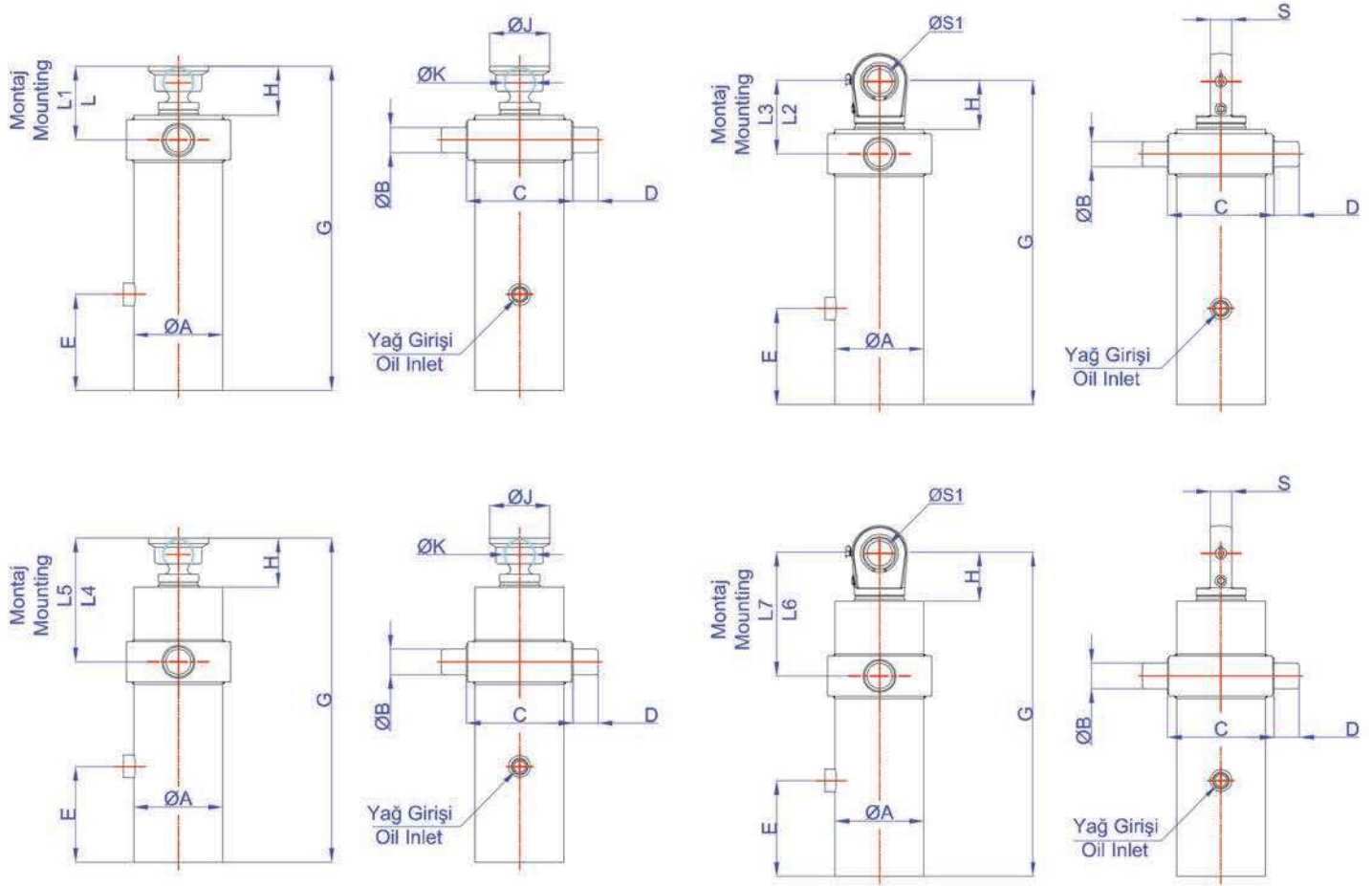
ÜRÜN KODU PRODUCT CODE	TİP TYPE	ØA	ØB	L	L1	ØG	ØF	D	C	T	H	M	I	E	LİTRE LİTER (dm ³)	YAĞ GİRİŞİ OIL INLET	AĞIRLIK WEIGHT (kg)
43175441006	GHS 175-4-4100 H TEL.SİL.	197	242	343	373	65	60	340	240	60	60	1448	60	190	82	R 1"	262
43175456806	GHS 175-4-5680 H TEL.SİL.	197	242	343	373	65	60	340	240	60	60	1788	60	190	114	R 1"	340
43175458606	GHS 175-4-5860 H TEL.SİL.	197	242	343	373	65	60	340	240	60	60	1838	60	190	118	R 1"	349
43175460406	GHS 175-4-6040 H TEL.SİL.	197	242	343	373	65	60	340	240	60	60	1888	60	190	122	R 1"	357
43175462206	GHS 175-4-6220 H TEL.SİL.	197	242	343	373	65	60	340	240	60	60	1938	60	190	125	R 1"	366
43175464006	GHS 175-4-6400 H TEL.SİL.	197	242	343	373	65	60	340	240	60	60	1988	60	190	129	R 1"	375
43175465806	GHS 175-4-6580 H TEL.SİL.	197	242	343	373	65	60	340	240	60	60	2038	60	190	132	R 1"	384
43175467606	GHS 175-4-6760 H TEL.SİL.	197	242	343	373	65	60	340	240	60	60	2088	60	190	136	R 1"	393
43175469406	GHS 175-4-6940 H TEL.SİL.	197	242	343	373	65	60	340	240	60	60	2138	60	190	140	R 1"	402

ÜRÜN KODU PRODUCT CODE	TİP TYPE	ØA	ØB	L	L1	ØG	ØF	D	C	T	H	M	I	E	LİTRE LİTER (dm ³)	YAĞ GİRİŞİ OIL INLET	AĞIRLIK WEIGHT (kg)
43175551256	GHS 175-5-5125 H TEL.SİL.	197	242	343	373	65	60	340	240	60	60	1348	60	190	88	R 1"	279
43175553256	GHS 175-5-5325 H TEL.SİL.	197	242	343	373	65	60	340	240	60	60	1388	60	190	92	R 1"	287
43175555506	GHS 175-5-5550 H TEL.SİL.	197	242	343	373	65	60	340	240	60	60	1438	60	190	95	R 1"	297
43175557506	GHS 175-5-5750 H TEL.SİL.	197	242	343	373	65	60	340	240	60	60	1488	60	190	99	R 1"	307
43175559756	GHS 175-5-5975 H TEL.SİL.	197	242	343	373	65	60	340	240	60	60	1538	60	190	103	R 1"	316
43175562006	GHS 175-5-6200 H TEL.SİL.	197	242	343	373	65	60	340	240	60	60	1588	60	190	107	R 1"	325
43175564256	GHS 175-5-6425 H TEL.SİL.	197	242	343	373	65	60	340	240	60	60	1638	60	190	111	R 1"	334
43175566506	GHS 175-5-6650 H TEL.SİL.	197	242	343	373	65	60	340	240	60	60	1688	60	190	115	R 1"	343
43175568756	GHS 175-5-6875 H TEL.SİL.	197	242	343	373	65	60	340	240	60	60	1738	60	190	119	R 1"	353
43175571006	GHS 175-5-7100 H TEL.SİL.	197	242	343	373	65	60	340	240	60	60	1788	60	190	122	R 1"	363
43175573256	GHS 175-5-7325 H TEL.SİL.	197	242	343	373	65	60	340	240	60	60	1838	60	190	126	R 1"	371
43175575506	GHS 175-5-7550 H TEL.SİL.	197	242	343	373	65	60	340	240	60	60	1888	60	190	130	R 1"	381
43175577756	GHS 175-5-7775 H TEL.SİL.	197	242	343	373	65	60	340	240	60	60	1938	60	190	133	R 1"	391
43175580006	GHS 175-5-8000 H TEL.SİL.	197	242	343	373	65	60	340	240	60	60	1988	60	190	138	R 1"	400
43175582256	GHS 175-5-8225 H TEL.SİL.	197	242	343	373	65	60	340	240	60	60	2038	60	190	142	R 1"	410
43175584506	GHS 175-5-8450 H TEL.SİL.	197	242	343	373	65	60	340	240	60	60	2088	60	190	145	R 1"	420
43175586756	GHS 175-5-8675 H TEL.SİL.	197	242	343	373	65	60	340	240	60	60	2138	60	190	150	R 1"	429

ÜRÜN KODU PRODUCT CODE	TİP TYPE	ØA	ØB	L	L1	ØG	ØF	D	C	T	H	M	I	E	LİTRE LİTER (dm ³)	YAĞ GİRİŞİ OIL INLET	AĞIRLIK WEIGHT (kg)
43197551256	GHS 197-5-5125 H TEL.SİL.	220	273	343	373	65	65	355	265	60	60	1351	65	190	115	R 1"	365
43197553256	GHS 197-5-5325 H TEL.SİL.	220	273	343	373	65	65	355	265	60	60	1391	65	190	120	R 1"	377
43197555506	GHS 197-5-5550 H TEL.SİL.	220	273	343	373	65	65	355	265	60	60	1441	65	190	125	R 1"	389
43197557506	GHS 197-5-5750 H TEL.SİL.	220	273	343	373	65	65	355	265	60	60	1491	65	190	129	R 1"	400
43197559756	GHS 197-5-5975 H TEL.SİL.	220	273	343	373	65	65	355	265	60	60	1541	65	190	134	R 1"	411
43197562006	GHS 197-5-6200 H TEL.SİL.	220	273	343	373	65	65	355	265	60	60	1591	65	190	139	R 1"	423
43197564256	GHS 197-5-6425 H TEL.SİL.	220	273	343	373	65	65	355	265	60	60	1641	65	190	145	R 1"	434
43197566506	GHS 197-5-6650 H TEL.SİL.	220	273	343	373	65	65	355	265	60	60	1691	65	190	150	R 1"	446
43197568756	GHS 197-5-6875 H TEL.SİL.	220	273	343	373	65	65	355	265	60	60	1741	65	190	155	R 1"	457
43197571006	GHS 197-5-7100 H TEL.SİL.	220	273	343	373	65	65	355	265	60	60	1791	65	190	160	R 1"	468
43197573256	GHS 197-5-7325 H TEL.SİL.	220	273	343	373	65	65	355	265	60	60	1841	65	190	165	R 1"	479
43197575506	GHS 197-5-7550 H TEL.SİL.	220	273	343	373	65	65	355	265	60	60	1891	65	190	170	R 1"	491
43197577756	GHS 197-5-7775 H TEL.SİL.	220	273	343	373	65	65	355	265	60	60	1941	65	190	175	R 1"	502
43197580006	GHS 197-5-8000 H TEL.SİL.	220	273	343	373	65	65	355	265	60	60	1991	65	190	180	R 1"	513
43197582256	GHS 197-5-8225 H TEL.SİL.	220	273	343	373	65	65	355	265	60	60	2041	65	190	185	R 1"	524
43197584506	GHS 197-5-8450 H TEL.SİL.	220	273	343	373	65	65	355	265	60	60	2091	65	190	190	R 1"	536
43197586756	GHS 197-5-8675 H TEL.SİL.	220	273	343	373	65	65	355	265	60	60	2141	65	190	196	R 1"	547



Teknik Çizim | Technical Drawing



ÜRÜN KODU PRODUCT CODE	TİP TYPE	ØA	L	L1	L2	L3	L4	L5	L6	L7	ØB	ØS1	S	C	D	G	H	J	ØK	E	LİTRE LİTER (dm ³)	YAĞ GİRİŞİ OIL INLET	AĞIRLIK WEIGHT (kg)
43155525507	155-5-2550 K	175	155	185	260	290	153	183	255	285	60	GE 50 (Ø50)	42	215	60	800	97	118	60	270	31	R 3/4"	114
43155630607	155-6-3060 K	175	155	185	260	290	153	183	255	285	60	GE 50 (Ø50)	42	215	60	800	97	118	60	270	32	R 3/4"	118

ÜRÜN KODU PRODUCT CODE	TİP TYPE	ØA	L	L1	L2	L3	L4	L5	L6	L7	ØB	ØS1	S	C	D	G	H	J	ØK	E	LİTRE LİTER (dm ³)	YAĞ GİRİŞİ OIL INLET	AĞIRLIK WEIGHT (kg)
43175525507	175-5-2550 K	197	170	200	260	290	155	185	255	285	60	GE 50 (Ø50)	42	240	60	770	110	118	65	270	41	R 1"	139
43175630607	175-6-3060 K	197	170	200	260	290	155	185	255	285	60	GE 50 (Ø50)	42	240	60	770	110	118	65	270	43	R 1"	145
43175735707	175-7-3570 K	197	170	200	260	290	155	185	255	285	60	GE 50 (Ø50)	42	240	60	770	110	118	65	270	45	R 1"	151

ÜRÜN KODU PRODUCT CODE	TİP TYPE	ØA	L	L1	L2	L3	L4	L5	L6	L7	ØB	ØS1	S	C	D	G	H	J	ØK	E	LİTRE LİTER (dm ³)	YAĞ GİRİŞİ OIL INLET	AĞIRLIK WEIGHT (kg)
43197630607	197-6-3060 K	220	175	205	265	295	160	190	255	285	65	GE 60 (Ø60)	42	265	60	770	110	118	65	270	60	R 1"	178
43197735707	197-7-3570 K	220	175	205	265	295	160	190	255	285	65	GE 60 (Ø60)	42	265	60	770	110	118	65	270	62	R 1"	185



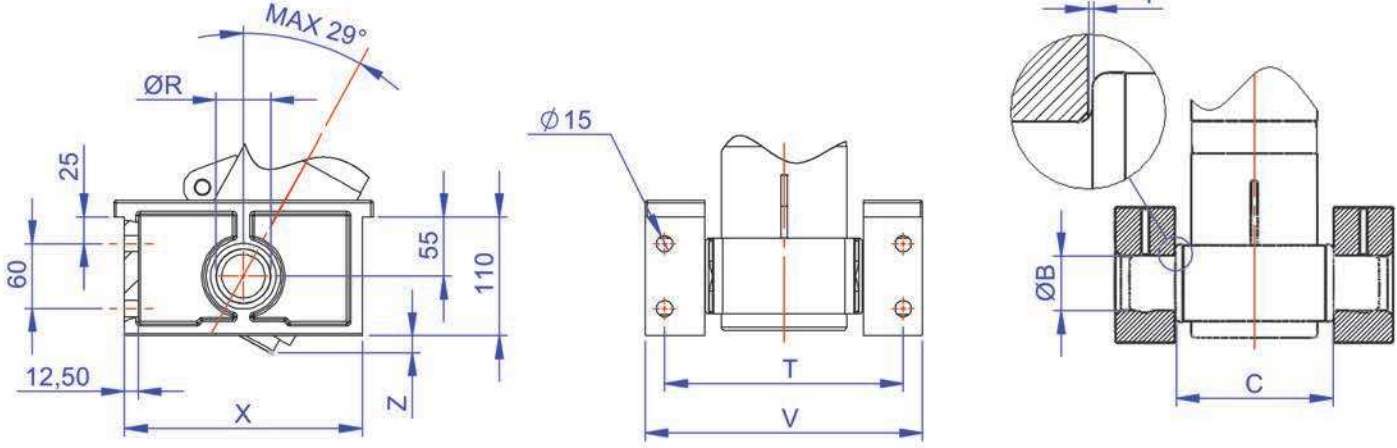
Teleskopik Silindirler
Telescopic Cylinder

Gold Bracket Kits

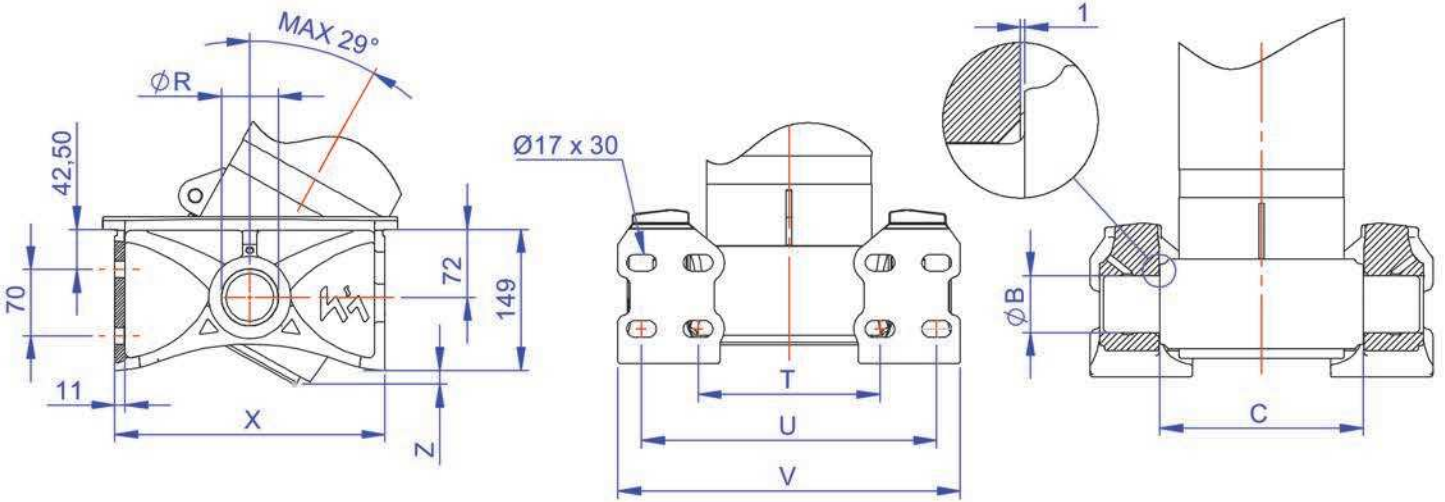




Şase Braketleri Montaj Bilgileri | Chassis Brackets Mounting Instructions



SİLİNDİR TİPİ CYLINDER TYPE	STOK KODU STOK CODE	C	ØB	X	T	U	V	ØR	Z	AĞIRLIK WEIGHT
43098.....	47000009-0001	145	50	220	221		257	50.8	16	~ 12 kg



SİLİNDİR TİPİ CYLINDER TYPE	STOK KODU STOK CODE	C	ØB	X	T	U	V	ØR	Z	AĞIRLIK WEIGHT
43116.....	47000017-0001	170	60	286	149	269	318	60.8	3	~ 19 kg
43135.....		193	60	286	172	292	341	60.8	8	~ 19 kg
43155.....		215	60	286	194	314	363	60.8	15	~ 19 kg
43155.....	47000024-0001	215	60	368	194	314	363	60.8	15	~ 31,5 kg
43175.....		240	60	368	219	339	387	60.8	19	~ 31,5 kg
43197.....	47000027-0001	265	65	368	244	364	413	65.8	33	~ 31 kg
43220.....	47000120-0001	290	70	368	269	389	438	70.8	48	~ 30,5 kg

Silindirinizin 'C' ölçüsü tablo değerleri dışında ise, tablo değerleri referans alınmaz.

Different measures of 'C' in reference to the table values, in that case table values must not be referred.

Braketin standart renk kodu RAL 1036 (Farklı renk isterseniz satış birimimizle iletişime geçiniz.)

Standard bracket is painted with RAL 1036 (In case of customisation, please refer sales team.)

Kutu içerisinde bağlantı plakası, civata ve pul bulunmaktadır.

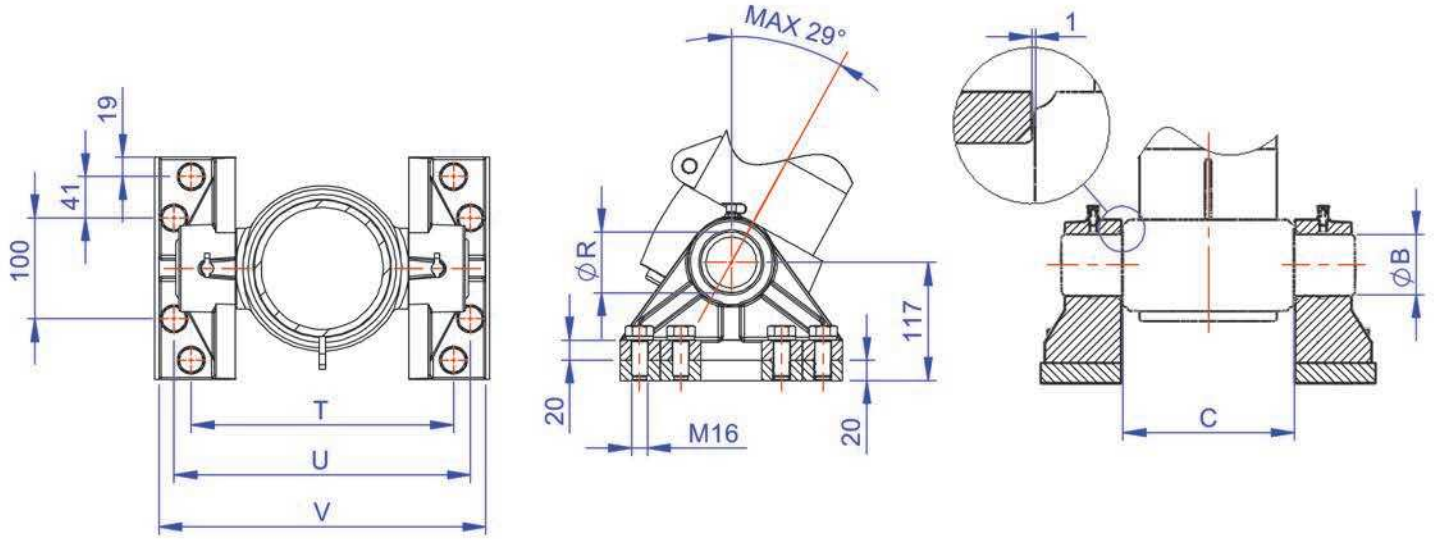
There is mounting plate, bolt and washer inside the box.

Siparişinizin stok kodunu 47...002 olarak verirsiniz, bağlantı elemanları da (civata,somun,pul) gönderilecektir.

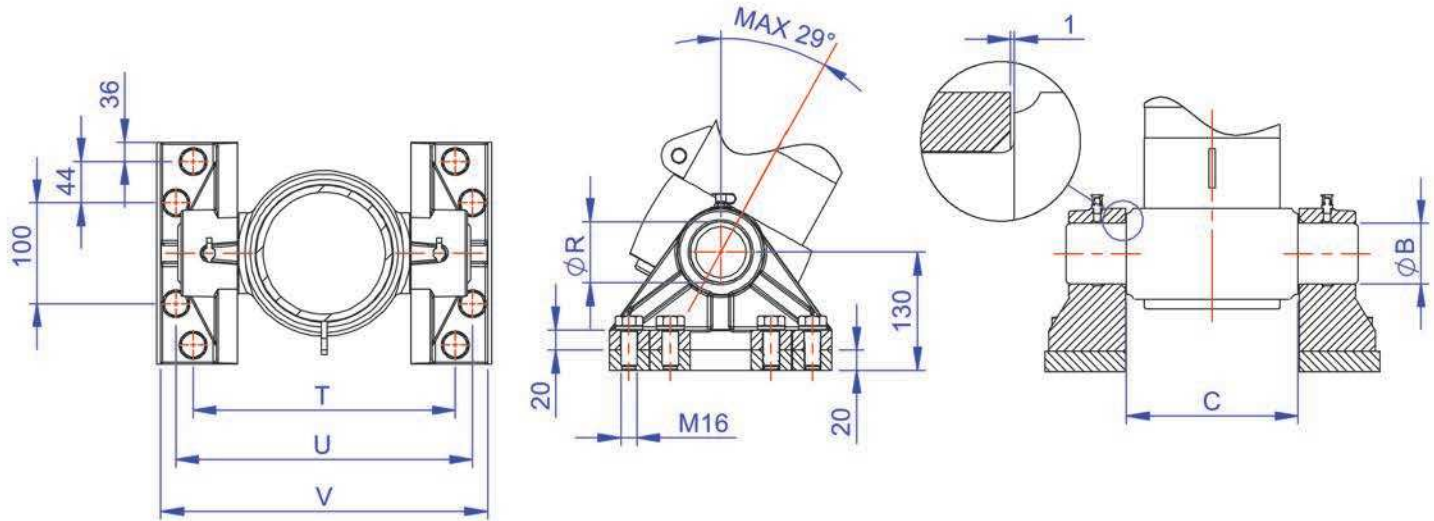
If you place the stock code of your order as 47 ... 002, the mounting parts (bolt, nut, washer) will be sent too.



Şase Braketleri Montaj Bilgileri | Chassis Brackets Mounting Instructions



SİLİNDİR TİPİ CYLINDER TYPE	STOK KODU STOK CODE	C	ØB	X	T	U	V	ØR	Z	AĞIRLIK WEIGHT
43116.....	47000110-0001	170	60	.	260	294	324	60.8	.	~ 17 kg
43135.....		193	60	.	283	317	347	60.8	.	~ 17 kg
43155.....		215	60	.	305	339	369	60.8	.	~ 17 kg
43175.....		240	60	.	330	364	394	60.8	.	~ 17 kg
43197.....	47000010-0001	265	65	.	355	389	419	65.8	.	~ 17 kg



SİLİNDİR TİPİ CYLINDER TYPE	STOK KODU STOK CODE	C	ØB	X	T	U	V	ØR	Z	AĞIRLIK WEIGHT
43220.....	47000012-0001	290	70	.	380	414	452	70.8	.	~ 21,5 kg

Silindirinizin 'C' ölçüsü tablo değerleri dışında ise, tablo değerleri referans alınmaz.

Different measures of 'C' in reference to the table values, in that case table values must not be referred.

Braketin standart renk kodu RAL 1036 (Farklı renk isterseniz satış birimimizle iletişime geçiniz.)

Standard bracket is painted with RAL 1036 (In case of customisation, please refer sales team.)

Kutu içerisinde bağlantı plakası, cıvata ve pul bulunmaktadır.

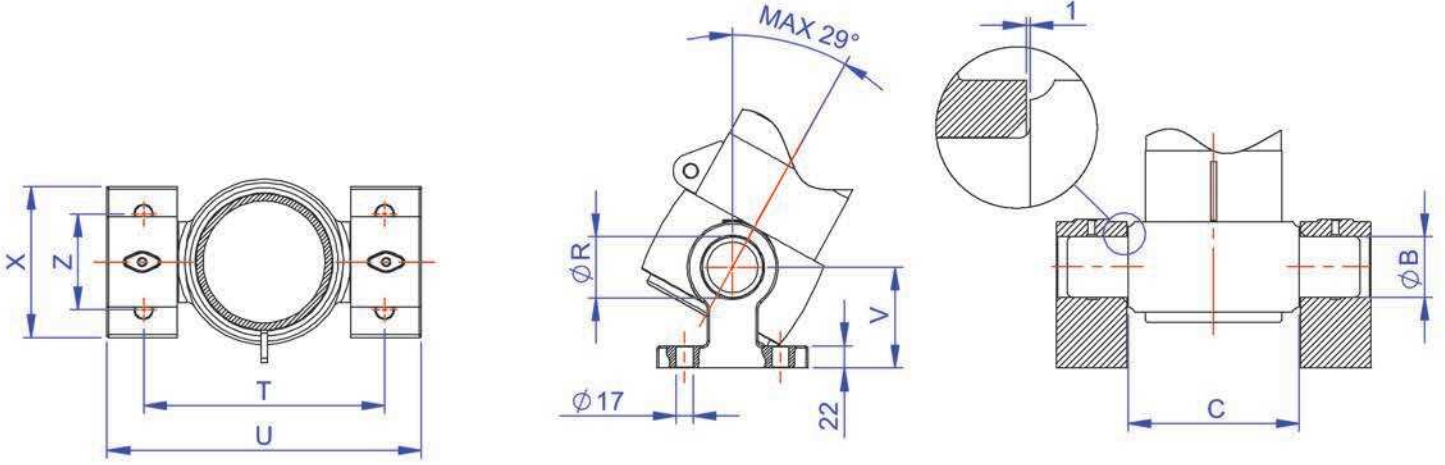
There is mounting plate, bolt and washer inside the box.

Siparişinizin stok kodunu 47...002 olarak vererseniz, bağlantı elemanları da (cıvata, somun, pul) gönderilecektir.

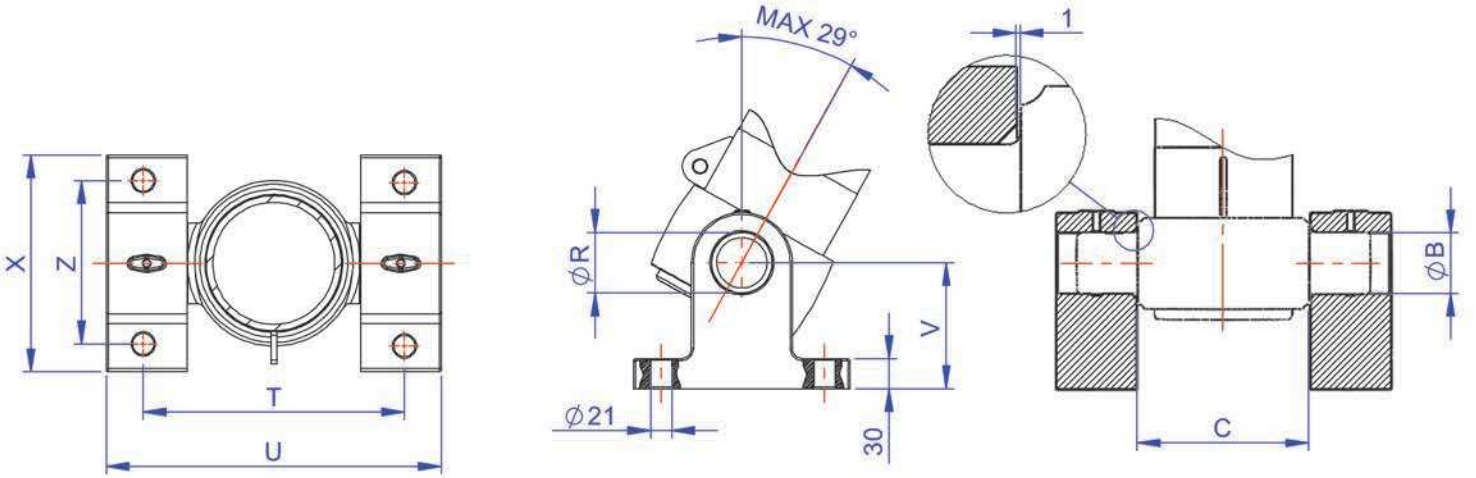
If you place the stock code of your order as 47 ... 002, the mounting parts (bolt, nut, washer) will be sent too.



Şase Braketleri Montaj Bilgileri | Chassis Brackets Mounting Instructions



SİLİNDİR TİPİ CYLINDER TYPE	STOK KODU STOK CODE	C	ØB	X	Z	ØR	V	T	U	AĞIRLIK WEIGHT
43116.....	47000056-0001	170	60	150	95	60.8	100	239	312	~ 8,5 kg
43135.....	47000057-0001	193	60	150	95	60.8	100	239	335	~ 8,5 kg



SİLİNDİR TİPİ CYLINDER TYPE	STOK KODU STOK CODE	C	ØB	X	Z	ØR	V	T	U	AĞIRLIK WEIGHT
43155.....	47000058-0001	215	60	220	165	60.8	125	304	377	~ 19 kg
43175.....	47000059-0001	240	60	220	165	60.8	125	342	402	~ 19 kg
43197.....	47000055-0001	265	65	220	165	65.8	150	342	427	~ 22,5 kg

Silindirinizin 'C' ölçüsü tablo değerleri dışında ise, tablo değerleri referans alınmaz.

Different measures of 'C' in reference to the table values, in that case table values must not be referred.

Braketin standart renk kodu RAL 1036 (Farklı renk isterseniz satış birimimizle iletişime geçiniz.)

Standard bracket is painted with RAL 1036 (In case of customisation, please refer sales team.)

Kutu içerisinde bağlantı plakası, civata ve pul bulunmaktadır.

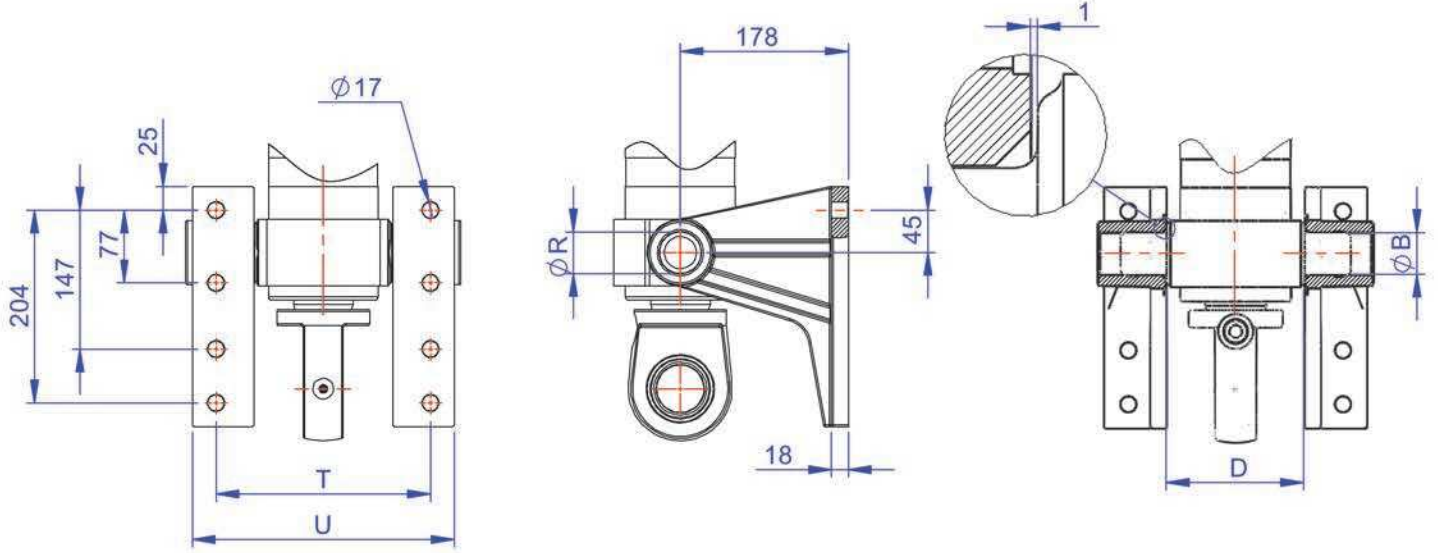
There is mounting plate, bolt and washer inside the box.

Siparişinizin stok kodunu 47...002 olarak verirseniz, bağlantı elemanları da (civata,somun,pul) gönderilecektir.

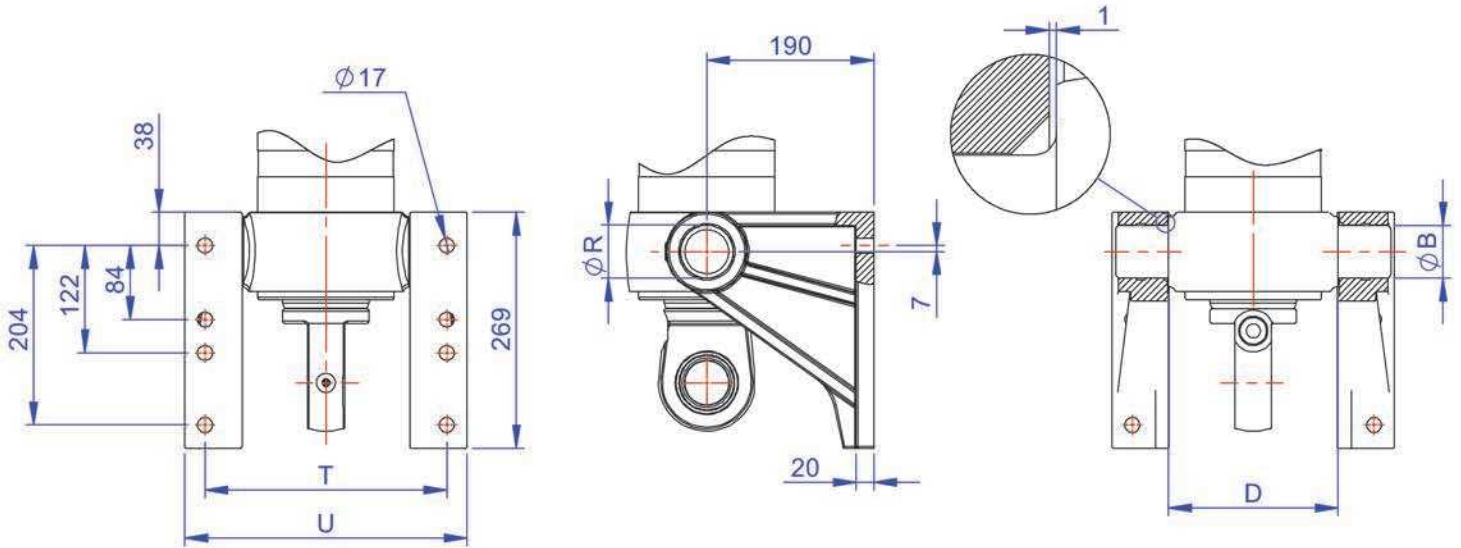
If you place the stock code of your order as 47 ... 002, the mounting parts (bolt, nut, washer) will be sent too.



Kasa Braketleri Montaj Bilgileri | Casing Brackets Mounting Instructions



SİLİNDİR TİPİ CYLINDER TYPE	STOK KODU STOK CODE	D	ØG	X	T	U	V	ØR	Z	AĞIRLIK WEIGHT
43098.....	47000004-0001	145	44	.	227	277	.	44.5	.	~ 12,5 kg



SİLİNDİR TİPİ CYLINDER TYPE	STOK KODU STOK CODE	D	ØB	X	T	U	V	ØR	Z	AĞIRLIK WEIGHT
43116.....	47000101-0001	170	60	.	254	300	.	60.8	.	~ 17 kg
43135.....		193	60	.	277	323	.	60.8	.	~ 17 kg
43155.....		215	60	.	299	345	.	60.8	.	~ 17 kg
43175.....		240	60	.	324	370	.	60.8	.	~ 17 kg

Silindirinizin 'C' ölçüsü tablo değerleri dışında ise, tablo değerleri referans alınmaz.

Different measures of 'C' in reference to the table values, in that case table values must not be referred.

Braketin standart renk kodu RAL 1036 (Farklı renk isterseniz satış birimimizle iletişime geçiniz.)

Standard bracket is painted with RAL 1036 (In case of customisation, please refer sales team.)

Kutu içerisinde bağlantı plakası, cıvata ve pul bulunmaktadır.

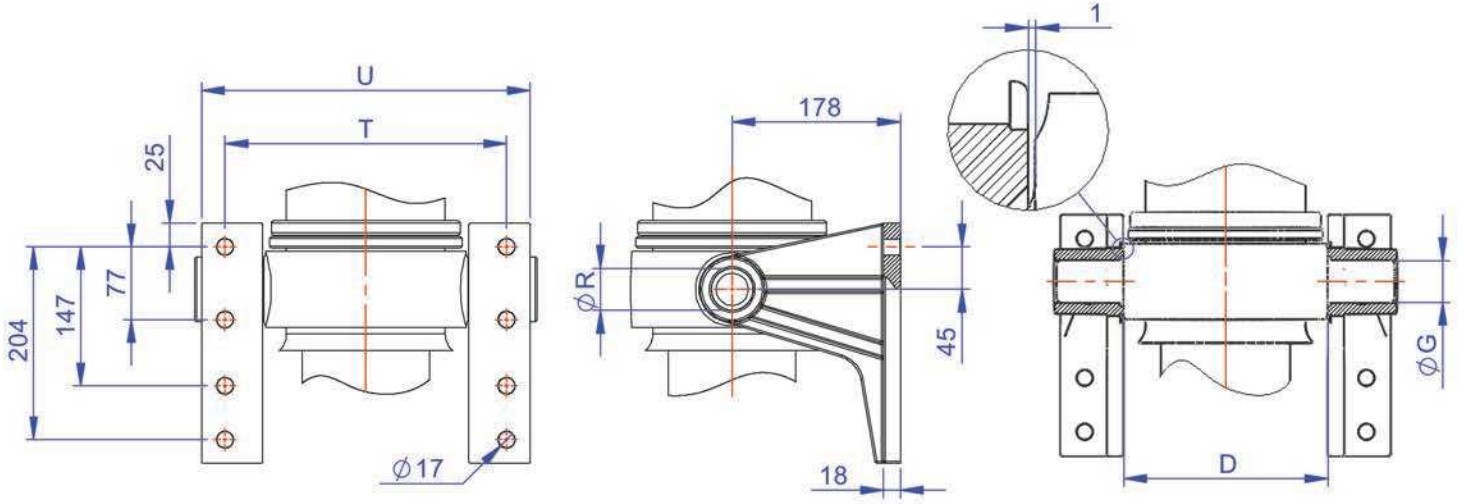
There is mounting plate, bolt and washer inside the box.

Siparişinizin stok kodunu 47...002 olarak vererseniz, bağlantı elemanları da (cıvata, somun, pul) gönderilecektir.

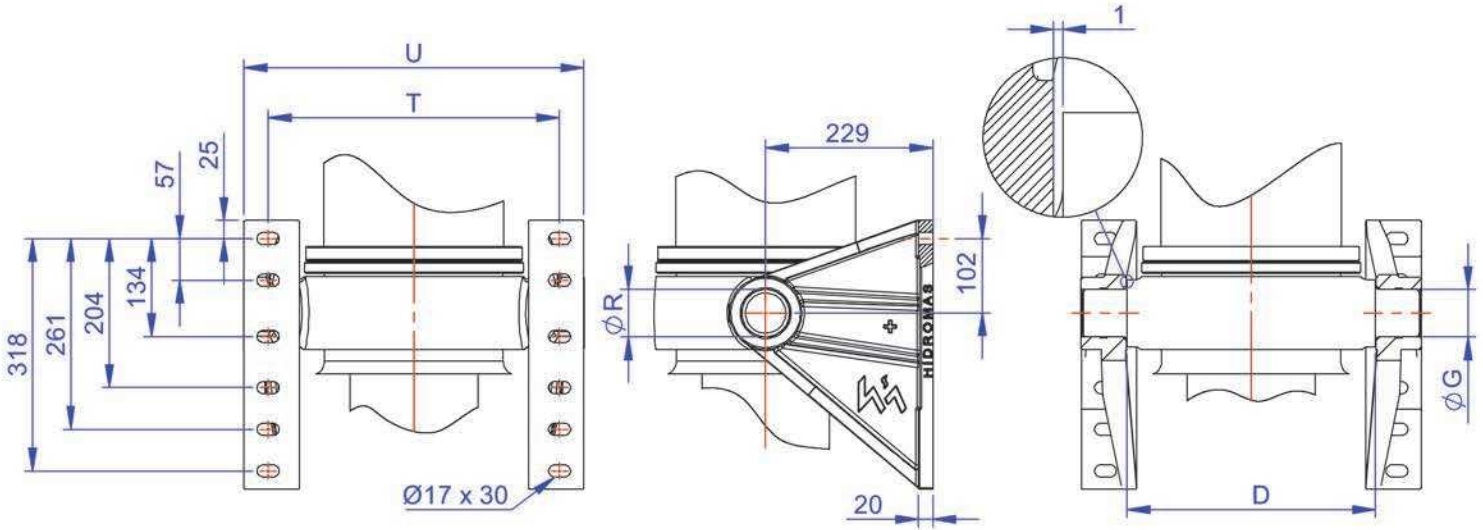
If you place the stock code of your order as 47 ... 002, the mounting parts (bolt, nut, washer) will be sent too.



Kasa Braketleri Montaj Bilgileri | Casing Brackets Mounting Instructions



SİLİNDİR TİPİ CYLINDER TYPE	STOK KODU STOK CODE	D	ØG	X	T	U	V	ØR	Z	AĞIRLIK WEIGHT
43098.....	47000004-0001	216	44	.	298	348	.	44.5	.	~ 12,5 kg
43116.....		216	44	.	298	348	.	44.5	.	~ 12,5 kg



SİLİNDİR TİPİ CYLINDER TYPE	STOK KODU STOK CODE	D	ØB	X	T	U	V	ØR	Z	AĞIRLIK WEIGHT
43135.....	47000121-0001	283	65	.	342	405	.	65.8	.	~ 25 kg
43155.....		340	65	.	400	462	.	65.8	.	~ 25 kg
43175.....		340	65	.	400	462	.	65.8	.	~ 25 kg
43197.....		355	65	.	414	477	.	65.8	.	~ 25 kg
43220.....		355	65	.	414	477	.	65.8	.	~ 25 kg

Silindirinizin 'C' ölçüsü tablo değerleri dışında ise, tablo değerleri referans alınamaz.

Different measures of 'C' in reference to the table values, in that case table values must not be referred.

Braketin standart renk kodu RAL 1036 (Farklı renk isterseniz satış birimimizle iletişime geçiniz.)

Standard bracket is painted with RAL 1036 (In case of customisation, please refer sales team.)

Kutu içerisinde bağlantı plakası, civata ve pul bulunmaktadır.

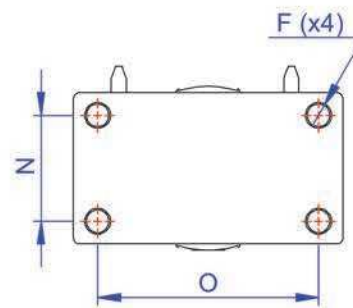
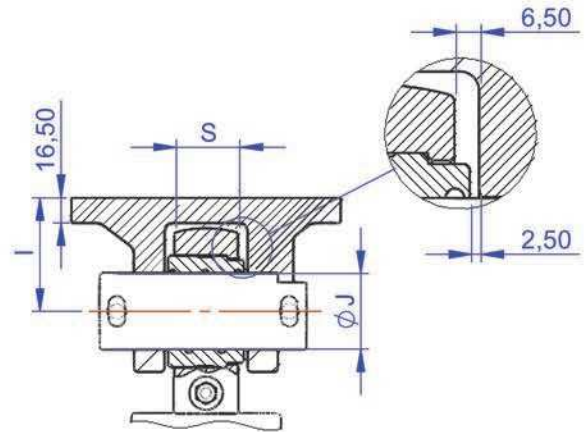
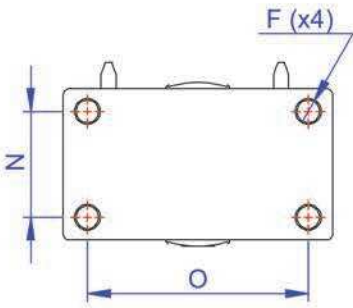
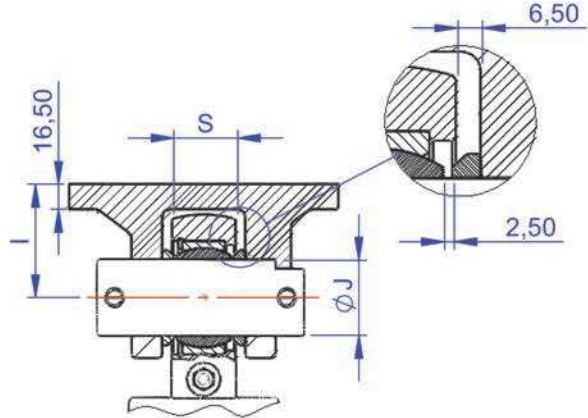
There is mounting plate, bolt and washer inside the box.

Siparişinizin stok kodunu 47...002 olarak vererseniz, bağlantı elemanları da (civata,somun,pul) gönderilecektir.

If you place the stock code of your order as 47 ... 002, the mounting parts (bolt, nut, washer) will be sent too.



Üst Braketleri Montaj Bilgileri | Top Clavis Mounting Instructions



GE 50								
SİLİNDİR TİPİ CYLINDER TYPE	KADEME STAGE	S	ØJ	I	O	N	F	STOK KODU STOK CODE
43098.....		42	50	75	146	70	M16x2 Ø15	47000020-02-001 47000015-01-001
43116.....								
43135.....								
43155.....	5 / 4 / 3	42	50	85	184	95	M16x2 Ø17	47000026-02-002 47000079-01-001
43175.....	5 / 4							
GE 60								
43197.....	5 / 4	52	60	90	184	95	M16x2 Ø17	47000035-02-001 47000080-01-001
43220.....								
GEZ 50								
43155.....	5 / 4 / 3	50	50,8	85	184	95	M16x2 Ø17	47000061-01-001 47000081-01-001
43175.....	5 / 4							

GE 50 (BUSH)								
SİLİNDİR TİPİ CYLINDER TYPE	KADEME STAGE	S	ØJ	I	O	N	ØF	STOK KODU STOK CODE
43098.....		42	50	75	146	70	M16x2 Ø15	47000020-02-002 47000015-01-002
43116.....								
43135.....								
43155.....	5 / 4 / 3	42	50	85	184	95	M16x2 Ø17	47000026-02-003 47000079-01-002
43175.....	5 / 4							
GE 60 (BUSH)								
43197.....	5 / 4	52	60	90	184	95	M16x2 Ø17	47000035-02-002 47000080-01-002
43220.....								
GEZ 50 (BUSH)								
43155.....	5 / 4 / 3	52	50,8	85	184	95	M16x2 Ø17	47000061-01-002 47000081-01-002
43175.....	5 / 4							

Braketin standart renk kodu RAL 1036 (Farklı renk isterseniz satış birimimizle iletişime geçiniz.)
Standard bracket is painted with RAL 1036 (In case of customisation, please refer sales team.)



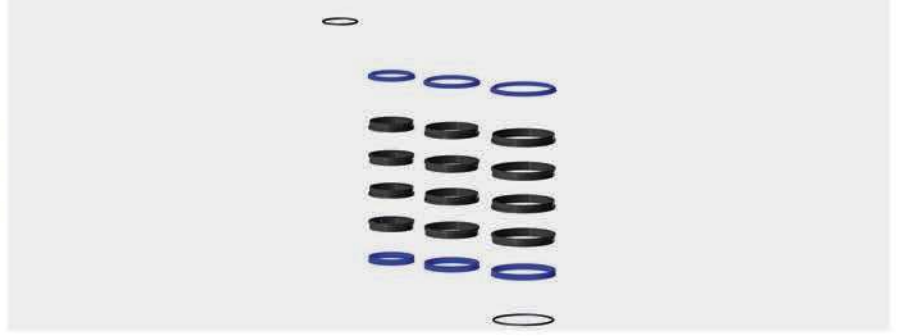
Sızdırmazlık Kitleri Seal Kits

SIZDIRMAZLIK KİTİ - **SEAL KIT**

47211633 | GHS 116-3 A-B

47213531 | GHS 135-3 A-B

47215531 | GHS 155-3 A-B

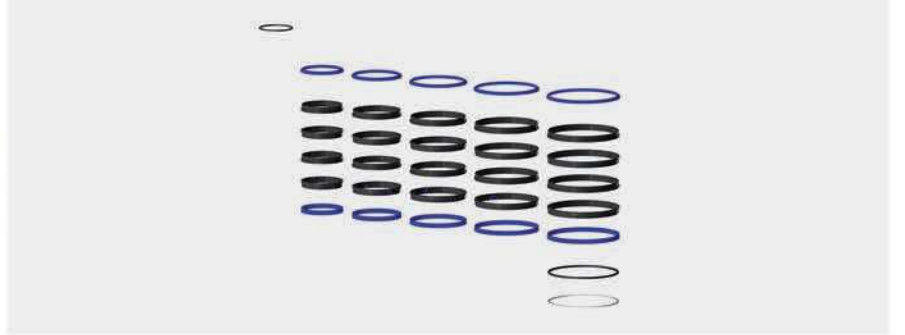


SIZDIRMAZLIK KİTİ - **SEAL KIT**

47211632 | GHS 116-3 C-E-H

47213532 | GHS 135-3 C-E-H

47215532 | GHS 155-3 C-E-H

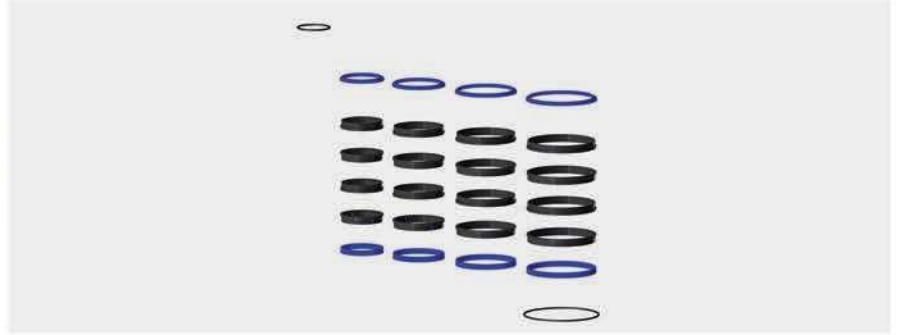


SIZDIRMAZLIK KİTİ - **SEAL KIT**

47213541 | GHS 135-4 A-B

47215541 | GHS 155-4 A-B

47217541 | GHS 175-4 A-B

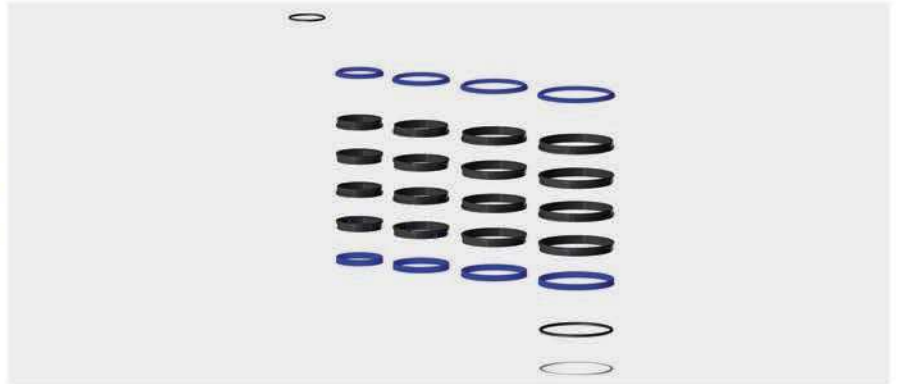


SIZDIRMAZLIK KİTİ - **SEAL KIT**

47213542 | GHS 135-4 C-E-H

47215542 | GHS 155-4 C-E-H

47217542 | GHS 175-4 C-E-H

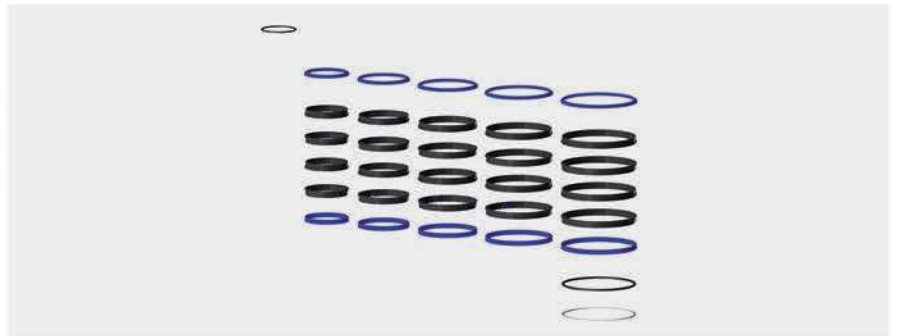


SIZDIRMAZLIK KİTİ - **SEAL KIT**

47217552 | GHS 175-5 C-E-H

47219752 | GHS 197-5 C-E-H

47222052 | GHS 220-5 C-E-H





TEL SEGMAN KİTİ | WIRE - **RING KITS**

47401034 | GHS 116-3 A-B

47401037 | GHS 135-3 A-B

47401040 | GHS 155-3 A-B



TEL SEGMAN KİTİ | WIRE - **RING KITS**

47401038 | GHS 135-4 A-B

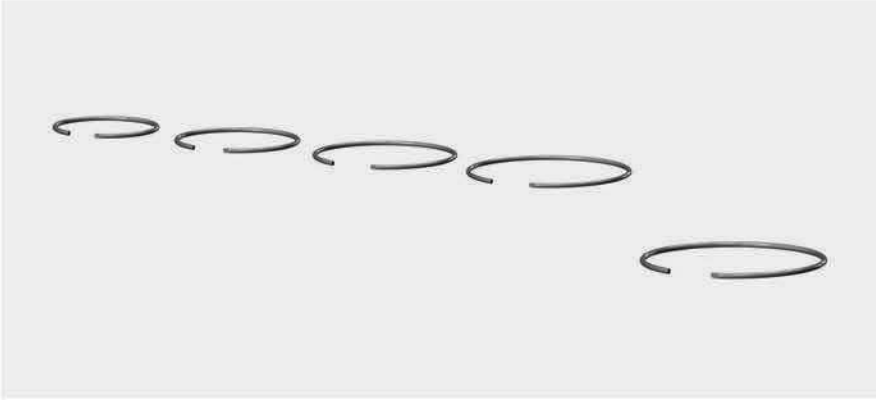
47401041 | GHS 155-4 A-B

47401044 | GHS 175-4 A-B

47401024 | GHS 116-3 C-E-H

47401026 | GHS 135-3 C-E-H

47401028 | GHS 155-3 C-E-H

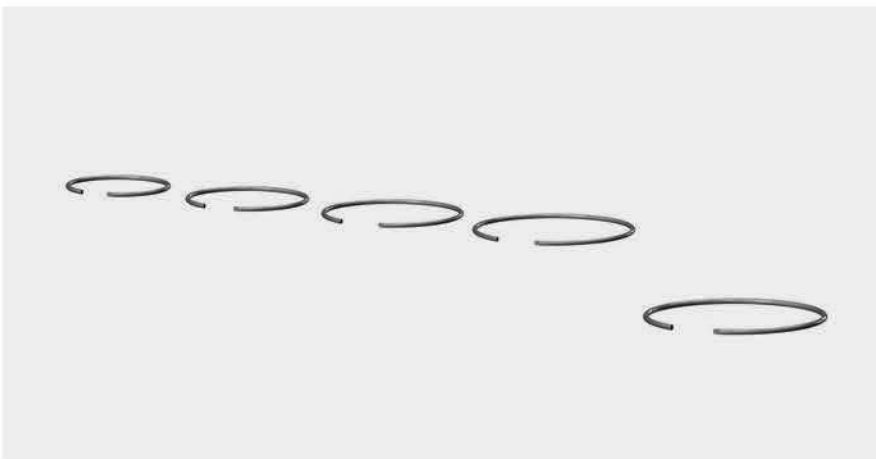


TEL SEGMAN KİTİ | WIRE - **RING KITS**

47401027 | GHS 135-4 C-E-H

47401029 | GHS 155-4 C-E-H

47401045 | GHS 175-4 C-E-H



TEL SEGMAN KİTİ | WIRE - **RING KITS**

47401022 | GHS 175-5 C-E-H

47401021 | GHS 197-5 C-E-H

47401048 | GHS 220-5 C-E-H



İÇ SEGMAN KİTİ - INNER RING KITS

47211633 | GHS 116-3 A-B

47213531 | GHS 135-3 A-B

47215531 | GHS 155-3 A-B



İÇ SEGMAN KİTİ - INNER RING KITS

47403023 | GHS 135-4 A-B-C-E-H

47403028 | GHS 155-4 A-B-C-E-H

47403036 | GHS 175-4 A-B-C-E-H



İÇ SEGMAN KİTİ - INNER RING KITS

47403022 | GHS 175-5 C-E-H

47403021 | GHS 197-5 C-E-H

47403038 | GHS 220-5 C-E-H





DIŞ SEGMAN KİTİ - OUTER RING KITS

47402024 | GHS 116-3 A-B-C-E-H

47402026 | GHS 135-3 A-B-C-E-H

47402027 | GHS 155-3 A-B-C-E-H



DIŞ SEGMAN KİTİ - OUTER RING KITS

47402023 | GHS 135-4 A-B-C-E-H

47402028 | GHS 155-4 A-B-C-E-H

47402036 | GHS 175-4 A-B-C-E-H



DIŞ SEGMAN KİTİ - OUTER RING KITS

47402030 | GHS 175-5 C-E-H

47402021 | GHS 197-5 C-E-H

47402039 | GHS 220-5 C-E-H



Teleskopik Silindirler
Telescopic Cylinder

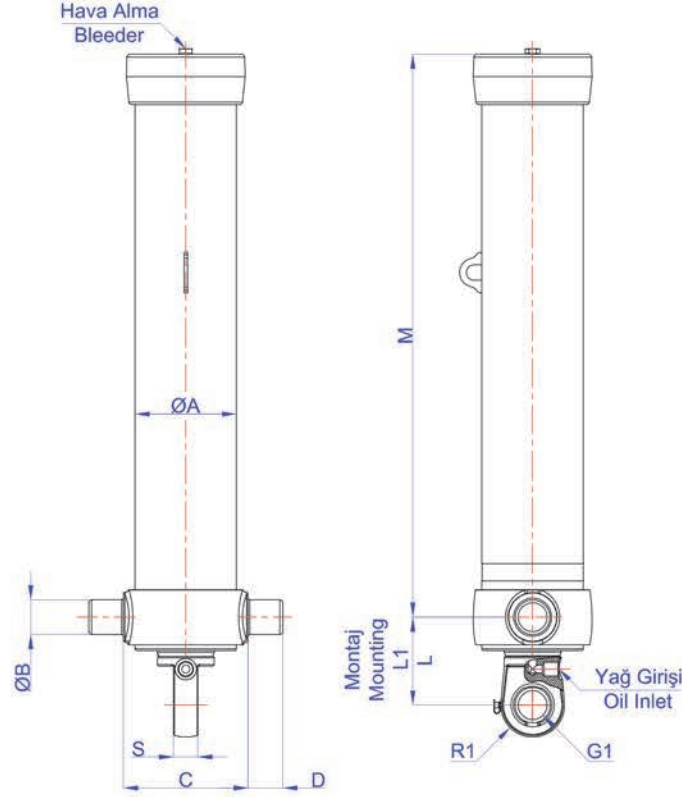
Classic Series





Klasik Serisi A Tipi Classic Series Type A

Teknik Çizim | Technical drawing



ÜRÜN KODU PRODUCT CODE	TİP TYPE	ØA	L	L1	ØG1	ØB	C	M	S	D	R	LİTRE LİTER (dm ³)	YAĞ GİRİŞİ OIL INLET	AĞIRLIK WEIGHT (kg)
42120324701	GHS 120-3-2470 A TEL. SİL.	141	180	210	GE 50 (Ø50)	60	186	960	42	50	55	24	R 3/4"	96
42120333201	GHS 120-3-3320 A TEL. SİL.	141	180	210	GE 50 (Ø50)	60	186	1280	42	50	55	32	R 3/4"	120

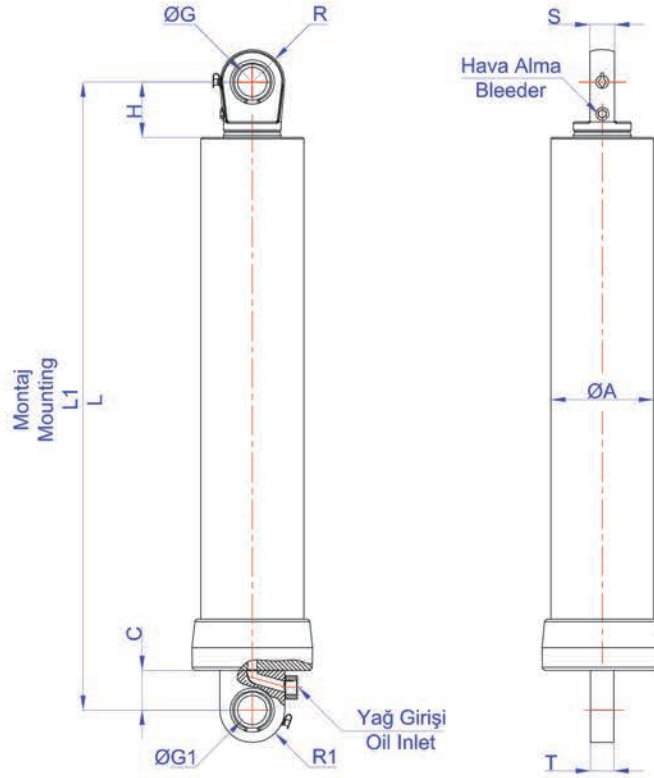
ÜRÜN KODU PRODUCT CODE	TİP TYPE	ØA	L	L1	ØG1	ØB	C	M	S	D	R	LİTRE LİTER (dm ³)	YAĞ GİRİŞİ OIL INLET	AĞIRLIK WEIGHT (kg)
42141333201	GHS 141-3-3320 A TEL. SİL.	162	187	217	GE 50 (Ø50)	65	204	1273	42	60	55	47	R 3/4"	153
42141335801	GHS 141-3-3580 A TEL. SİL.	162	187	217	GE 50 (Ø50)	65	204	1343	42	60	55	52	R 3/4"	160
42141337201	GHS 141-3-3720 A TEL. SİL.	162	187	217	GE 50 (Ø50)	65	204	1423	42	60	55	54	R 3/4"	162

ÜRÜN KODU PRODUCT CODE	TİP TYPE	ØA	L	L1	ØG1	ØB	C	M	S	D	R	LİTRE LİTER (dm ³)	YAĞ GİRİŞİ OIL INLET	AĞIRLIK WEIGHT (kg)
42141432801	GHS 141-4-3280 A TEL. SİL.	162	187	217	GE 50 (Ø50)	65	204	953	42	60	55	39	R 3/4"	125
42141444101	GHS 141-4-4410 A TEL. SİL.	162	187	217	GE 50 (Ø50)	65	204	1273	42	60	55	51	R 3/4"	169

ÜRÜN KODU PRODUCT CODE	TİP TYPE	ØA	L	L1	ØG1	ØB	C	M	S	D	R	LİTRE LİTER (dm ³)	YAĞ GİRİŞİ OIL INLET	AĞIRLIK WEIGHT (kg)
42162437301	GHS 162-4-3730 A TEL. SİL.	183	187	217	GE 50 (Ø50)	65	234	1103	42	60	55	61	R 3/4"	176
42162441001	GHS 162-4-4100 A TEL. SİL.	183	187	217	GE 50 (Ø50)	65	234	1183	42	60	55	66	R 3/4"	185
42162444101	GHS 162-4-4410 A TEL. SİL.	183	187	217	GE 50 (Ø50)	65	234	1273	42	60	55	72	R 3/4"	197
42162448001	GHS 162-4-4800 A TEL. SİL.	183	187	217	GE 50 (Ø50)	65	234	1403	42	60	55	79	R 3/4"	214



Teknik Çizim | Technical Drawing



ÜRÜN KODU PRODUCT CODE	TİP TYPE	ØA	L	L1	ØG	ØG1	H	C	S	T	R	R1	LİTRE LİTER (dm ³)	YAĞ GİRİŞİ OIL INLET	AĞIRLIK WEIGHT (kg)
42120324702	GHS 120-3-2470 B TEL. SİL.	141	1185	1215	GE 50 (Ø50)	GE 50 (Ø50)	94	68	42	40	55	55	24	R 3/4"	96
42120333202	GHS 120-3-3320 B TEL. SİL.	141	1505	1535	GE 50 (Ø50)	GE 50 (Ø50)	94	68	42	40	55	55	32	R 3/4"	120

ÜRÜN KODU PRODUCT CODE	TİP TYPE	ØA	L	L1	ØG	ØG1	H	C	S	T	R	R1	LİTRE LİTER (dm ³)	YAĞ GİRİŞİ OIL INLET	AĞIRLIK WEIGHT (kg)
42141333202	GHS 141-3-3320 B TEL. SİL.	162	1505	1535	GE 50 (Ø50)	GE 50 (Ø50)	94	68	42	40	55	55	47	R 3/4"	153
42141335802	GHS 141-3-3580 B TEL. SİL.	162	1575	1605	GE 50 (Ø50)	GE 50 (Ø50)	94	68	42	40	55	55	52	R 3/4"	160
42141337202	GHS 141-3-3720 B TEL. SİL.	162	1655	1685	GE 50 (Ø50)	GE 50 (Ø50)	94	68	42	40	55	55	54	R 3/4"	167

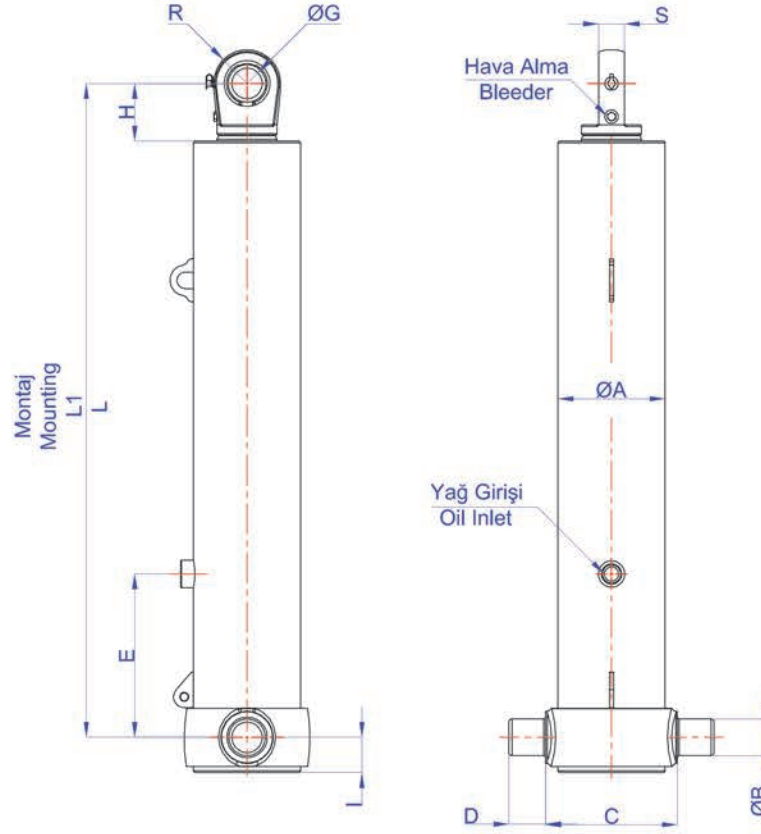
ÜRÜN KODU PRODUCT CODE	TİP TYPE	ØA	L	L1	ØG	ØG1	H	C	S	T	R	R1	LİTRE LİTER (dm ³)	YAĞ GİRİŞİ OIL INLET	AĞIRLIK WEIGHT (kg)
42141432802	GHS 141-4-3280 B TEL. SİL.	162	1185	1215	GE 50 (Ø50)	GE 50 (Ø50)	94	68	42	40	55	55	39	R 3/4"	125
42141444102	GHS 141-4-4410 B TEL. SİL.	162	1505	1535	GE 50 (Ø50)	GE 50 (Ø50)	94	68	42	40	55	55	51	R 3/4"	169

ÜRÜN KODU PRODUCT CODE	TİP TYPE	ØA	L	L1	ØG	ØG1	H	C	S	T	R	R1	LİTRE LİTER (dm ³)	YAĞ GİRİŞİ OIL INLET	AĞIRLIK WEIGHT (kg)
42162437302	GHS 162-4-3730 B TEL. SİL.	183	1335	1365	GE 50 (Ø50)	GE 50 (Ø50)	94	68	42	40	55	55	61	R 3/4"	176
42162441002	GHS 162-4-4100 B TEL. SİL.	183	1415	1445	GE 50 (Ø50)	GE 50 (Ø50)	94	68	42	40	55	55	66	R 3/4"	185
42162444102	GHS 162-4-4410 B TEL. SİL.	183	1505	1535	GE 50 (Ø50)	GE 50 (Ø50)	94	68	42	40	55	55	72	R 3/4"	197
42162448002	GHS 162-4-4800 B TEL. SİL.	183	1635	1665	GE 50 (Ø50)	GE 50 (Ø50)	94	68	42	40	55	55	79	R 3/4"	214



Klasik Serisi C Tipi Classic Series Type C

Teknik Çizim | Technical Drawing



ÜRÜN KODU PRODUCT CODE	TİP TYPE	ØA	L	L1	ØG	ØB	C	D	S	H	I	R	E	LİTRE LİTER (dm ³)	YAĞ GİRİŞİ OIL INLET	AĞIRLIK WEIGHT (kg)
42120324703	GHS 120-3-2470 C TEL. SİL.	141	1087	1117	GE 50 (Ø50)	60	186	50	42	94	60	55	200	24	R 3/4"	96
42120333203	GHS 120-3-3320 C TEL. SİL.	141	1407	1437	GE 50 (Ø50)	60	186	50	42	94	60	55	200	32	R 3/4"	120

ÜRÜN KODU PRODUCT CODE	TİP TYPE	ØA	L	L1	ØG	ØB	C	D	S	H	I	R	E	LİTRE LİTER (dm ³)	YAĞ GİRİŞİ OIL INLET	AĞIRLIK WEIGHT (kg)
42141333203	GHS 141-3-3320 C TEL. SİL.	162	1400	1430	GE 50 (Ø50)	65	204	60	42	94	68	55	200	47	R 3/4"	153
42141335803	GHS 141-3-3580 C TEL. SİL.	162	1470	1500	GE 50 (Ø50)	65	204	60	42	94	68	55	200	52	R 3/4"	160
42141337203	GHS 141-3-3720 C TEL. SİL.	162	1550	1580	GE 50 (Ø50)	65	204	60	42	94	68	55	200	54	R 3/4"	167

ÜRÜN KODU PRODUCT CODE	TİP TYPE	ØA	L	L1	ØG	ØB	C	D	S	H	I	R	E	LİTRE LİTER (dm ³)	YAĞ GİRİŞİ OIL INLET	AĞIRLIK WEIGHT (kg)
42141432803	GHS 141-4-3280 C TEL. SİL.	162	1080	1110	GE 50 (Ø50)	65	204	60	42	94	68	55	200	39	R 3/4"	125
42141444103	GHS 141-4-4410 C TEL. SİL.	162	1400	1430	GE 50 (Ø50)	65	204	60	42	94	68	55	200	51	R 3/4"	169



ÜRÜN KODU PRODUCT CODE	TİP TYPE	ØA	L	L1	ØG	ØB	C	D	S	H	I	R	E	LİTRE LİTER (dm ³)	YAĞ GİRİŞİ OIL INLET	AĞIRLIK WEIGHT (kg)
42162437303	GHS 162-4-3730 C TEL. SİL.	183	1230	1260	GE 50 (Ø50)	65	234	60	42	94	68	55	200	61	R 1"	176
42162441003	GHS 162-4-4100 C TEL. SİL.	183	1310	1340	GE 50 (Ø50)	65	234	60	42	94	68	55	200	66	R 1"	185
42162444103	GHS 162-4-4410 C TEL. SİL.	183	1400	1430	GE 50 (Ø50)	65	234	60	42	94	68	55	200	72	R 1"	197
42162448003	GHS 162-4-4800 C TEL. SİL.	183	1530	1560	GE 50 (Ø50)	65	234	60	42	94	68	55	200	79	R 1"	214

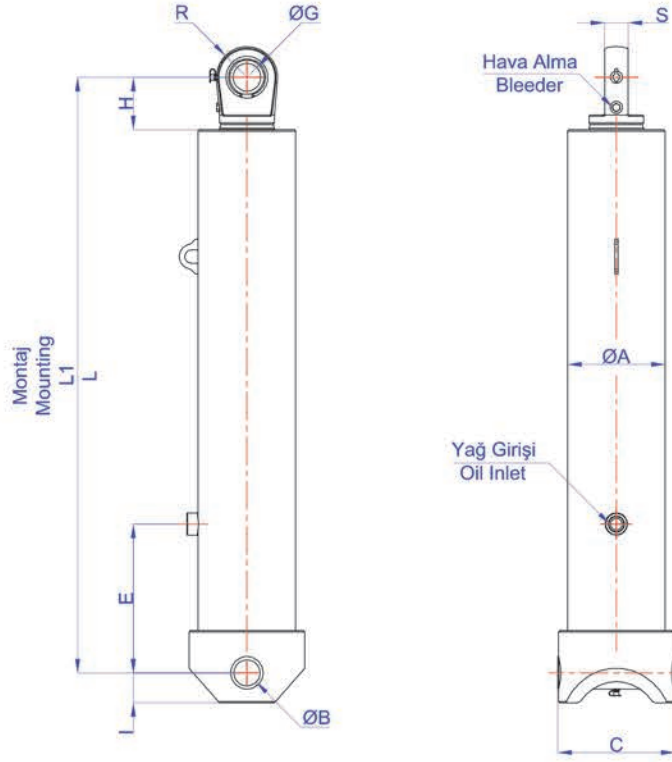
ÜRÜN KODU PRODUCT CODE	TİP TYPE	ØA	L	L1	ØG	ØB	C	D	S	H	I	R	E	LİTRE LİTER (dm ³)	YAĞ GİRİŞİ OIL INLET	AĞIRLIK WEIGHT (kg)
42183555003	GHS 183-5-5500 C TEL. SİL.	207	1385	1415	GE 50 (Ø50)	65	255	60	42	94	70	55	200	102	R 1"	255
42183557003	GHS 183-5-5700 C TEL. SİL.	207	1435	1465	GE 50 (Ø50)	65	255	60	42	94	70	55	200	107	R 1"	264
42183551003	GHS 183-5-5100 C TEL. SİL.	207	1535	1565	GE 50 (Ø50)	65	255	60	42	94	70	55	300	115	R 1"	284
42183565753	GHS 183-5-6575 C TEL. SİL.	207	1650	1680	GE 50 (Ø50)	65	255	60	42	94	70	55	300	123	R 1"	303
42183569503	GHS 183-5-6950 C TEL. SİL.	207	1735	1765	GE 50 (Ø50)	65	255	60	42	94	70	55	400	130	R 1"	315

ÜRÜN KODU PRODUCT CODE	TİP TYPE	ØA	L	L1	ØG	ØB	C	D	S	H	I	R	E	LİTRE LİTER (dm ³)	YAĞ GİRİŞİ OIL INLET	AĞIRLIK WEIGHT (kg)
42207555003	GHS 207-5-5500 C TEL. SİL.	234	1385	1415	GE 60 (Ø60)	65	265	70	52	94	71	60	200	136	R 1"	319
42207561003	GHS 207-5-6100 C TEL. SİL.	234	1535	1565	GE 60 (Ø60)	65	265	70	52	94	71	60	400	152	R 1"	355
42207565753	GHS 207-5-6575 C TEL. SİL.	234	1650	1680	GE 60 (Ø60)	65	265	70	52	94	71	60	400	164	R 1"	375
62207569503	GHS 207-5-6950 C TEL. SİL.	234	1735	1765	GE 60 (Ø60)	65	265	70	52	94	71	60	500	173	R 1"	393



Klasik Serisi E Tipi Classic Series Type E

Teknik Çizim | Technical Drawing



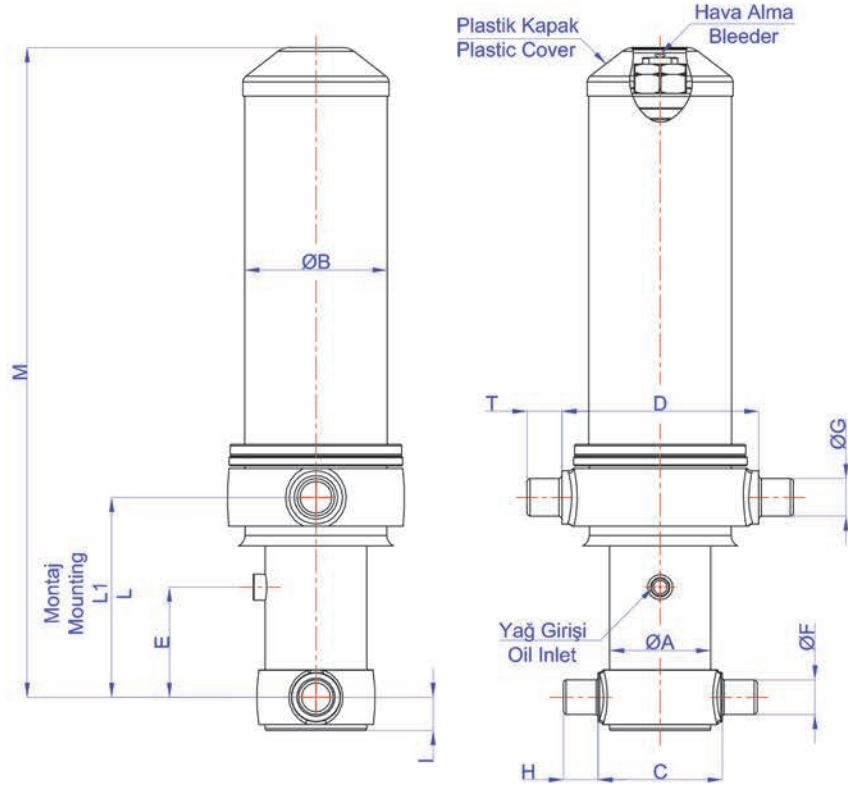
ÜRÜN KODU PRODUCT CODE	TİP TYPE	ØA	L	L1	ØG	ØB	C	H	I	R	S	E	LİTRE LİTER (dm ³)	YAĞ GİRİŞİ OIL INLET	AĞIRLIK WEIGHT (kg)
42162441005	GHS 162-4-4100 E TEL. SİL.	183	1431	1461	GE 50 (Ø50)	50	219	94	58	55	42	320	66	R 1"	180
42162444105	GHS 162-4-4410 E TEL. SİL.	183	1521	1551	GE 50 (Ø50)	50	219	94	58	55	42	320	72	R 1"	193
42162446005	GHS 162-4-4600 E TEL. SİL.	183	1616	1646	GE 50 (Ø50)	50	219	94	58	55	42	320	75	R 1"	207
42162448005	GHS 162-4-4800 E TEL. SİL.	183	1651	1681	GE 50 (Ø50)	50	219	94	58	55	42	320	79	R 1"	212

ÜRÜN KODU PRODUCT CODE	TİP TYPE	ØA	L	L1	ØG	ØB	C	H	I	R	S	E	LİTRE LİTER (dm ³)	YAĞ GİRİŞİ OIL INLET	AĞIRLIK WEIGHT (kg)
42183555005	GHS 183-5-5500 E TEL. SİL.	207	1529	1559	GE 50 (Ø50)	60	240	94	65	55	42	500	102	R 1"	260
42183557005	GHS 183-5-5700 E TEL. SİL.	207	1579	1609	GE 50 (Ø50)	60	240	94	65	55	42	500	107	R 1"	269
42183561005	GHS 183-5-6100 E TEL. SİL.	207	1679	1709	GE 50 (Ø50)	60	240	94	65	55	42	500	115	R 1"	289
42183565755	GHS 183-5-6575 E TEL. SİL.	207	1794	1824	GE 50 (Ø50)	60	240	94	65	55	42	500	123	R 1"	308
42183569505	GHS 183-5-6950 E TEL. SİL.	207	1879	1909	GE 50 (Ø50)	60	240	94	65	55	42	500	130	R 1"	320

ÜRÜN KODU PRODUCT CODE	TİP TYPE	ØA	L	L1	ØG	ØB	C	H	I	R	S	E	LİTRE LİTER (dm ³)	YAĞ GİRİŞİ OIL INLET	AĞIRLIK WEIGHT (kg)
42207555005	GHS 207-5-5500 E TEL. SİL.	234	1535	1565	GE 60 (Ø60)	60	267	94	71	60	52	500	136	R 1"	324
42207561005	GHS 207-5-6100 E TEL. SİL.	234	1685	1715	GE 60 (Ø60)	60	267	94	71	60	52	500	152	R 1"	360
42207565755	GHS 207-5-6575 E TEL. SİL.	234	1800	1830	GE 60 (Ø60)	60	267	94	71	60	52	500	164	R 1"	380
42207569505	GHS 207-5-6950 E TEL. SİL.	234	1885	1915	GE 60 (Ø60)	60	267	94	71	60	52	500	173	R 1"	398



Teknik Çizim | Technical Drawing



ÜRÜN KODU PRODUCT CODE	TİP TYPE	ØA	ØB	L	L1	ØG	ØF	D	C	T	H	M	I	E	LİTRE LİTER (dm ³)	YAĞ GİRİŞİ OIL INLET
42141333206	GHS 141-3-3320 H TEL. SİL.	162	219	343	373	65	65	283	204	60	60	1430	68	190	47	R 3/4"
42141335806	GHS 141-3-3580 H TEL. SİL.	162	219	343	373	65	65	283	204	60	60	1500	68	190	52	R 3/4"
42141337206	GHS 141-3-3720 H TEL. SİL.	162	219	343	373	65	65	283	204	60	60	1530	68	190	54	R 3/4"

ÜRÜN KODU PRODUCT CODE	TİP TYPE	ØA	ØB	L	L1	ØG	ØF	D	C	T	H	M	I	E	LİTRE LİTER (dm ³)	YAĞ GİRİŞİ OIL INLET
42141441006	GHS 141-4-4100 H TEL. SİL.	162	219	343	373	65	65	283	204	60	60	1340	68	190	44	R 3/4"
42141444106	GHS 141-4-4410 H TEL. SİL.	162	219	343	373	65	65	283	204	60	60	1430	68	190	51	R 3/4"
42141451906	GHS 141-4-5190 H TEL. SİL.	162	219	343	373	65	65	283	204	60	60	1610	68	190	58	R 3/4"

ÜRÜN KODU PRODUCT CODE	TİP TYPE	ØA	ØB	L	L1	ØG	ØF	D	C	T	H	M	I	E	LİTRE LİTER (dm ³)	YAĞ GİRİŞİ OIL INLET
42162441006	GHS 162-4-4100 H TEL. SİL.	183	242	343	373	65	65	340	234	60	60	1345	70	190	67	R 1"
42162444106	GHS 162-4-4410 H TEL. SİL.	183	242	343	373	65	65	340	234	60	60	1435	70	190	72	R 1"
42162451906	GHS 162-4-5190 H TEL. SİL.	183	242	343	373	65	65	340	234	60	60	1615	70	190	77	R 1"

ÜRÜN KODU PRODUCT CODE	TİP TYPE	ØA	ØB	L	L1	ØG	ØF	D	C	T	H	M	I	E	LİTRE LİTER (dm ³)	YAĞ GİRİŞİ OIL INLET
42183555006	GHS 183-5-5500 H TEL. SİL.	207	242	343	373	65	65	340	255	60	60	1420	70	190	102	R 1"
42183557006	GHS 183-5-5700 H TEL. SİL.	207	242	343	373	65	65	340	255	60	60	1470	70	190	107	R 1"
42183561006	GHS 183-5-6100 H TEL. SİL.	207	242	343	373	65	65	340	255	60	60	1570	70	190	115	R 1"
42183563756	GHS 183-5-6375 H TEL. SİL.	207	242	343	373	65	65	340	255	60	60	1635	70	190	120	R 1"
42183565756	GHS 183-5-6575 H TEL. SİL.	207	242	343	373	65	65	340	255	60	60	1685	70	190	123	R 1"
42183569506	GHS 183-5-6950 H TEL. SİL.	207	242	343	373	65	65	340	255	60	60	1770	70	190	130	R 1"



Teleskopik Silindirler
Telescopic Cylinder

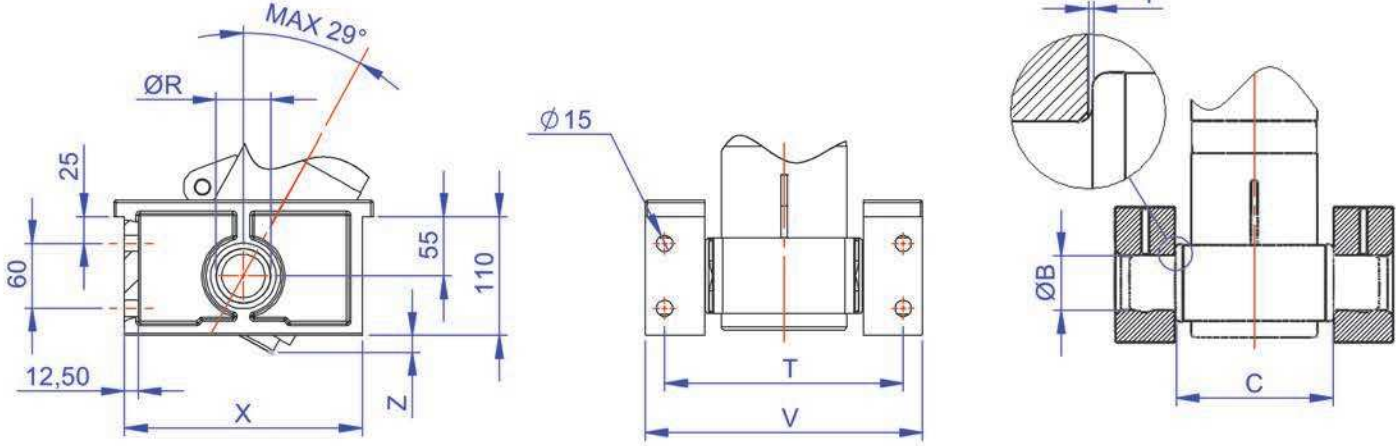
Classic Bracket Kits



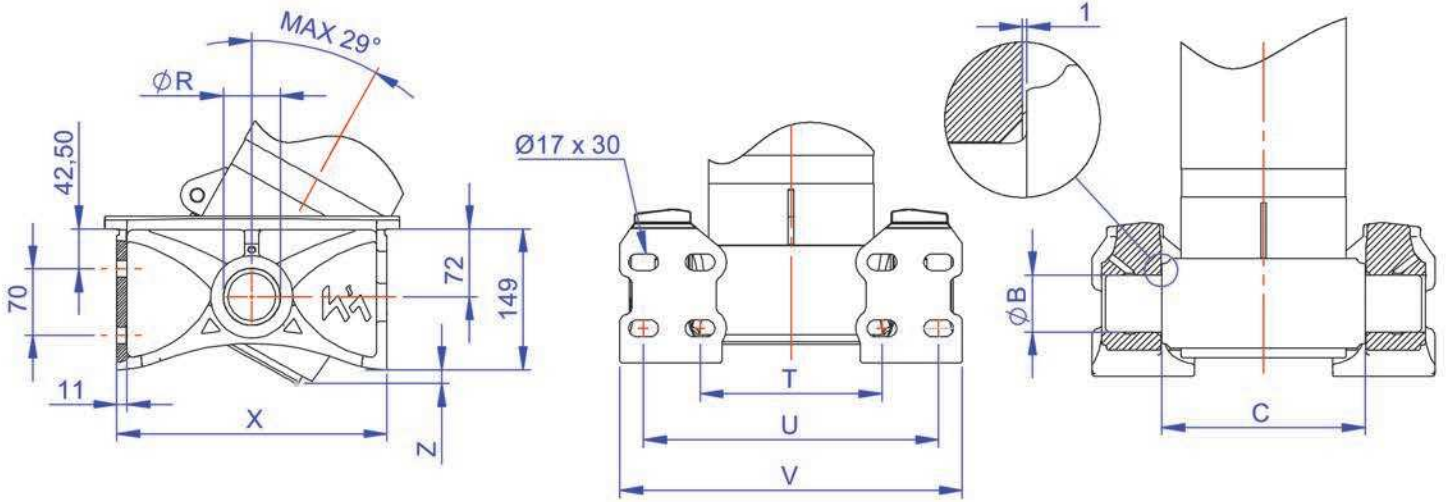


Braket Takımları | Klasik Serisi Bracket Kits | Classic Series

Şase Braketleri Montaj Bilgileri | Chassis Brackets Mounting Instructions



SİLİNDİR TİPİ CYLINDER TYPE	STOK KODU STOK CODE	C	ØB	X	T	U	V	ØR	Z	AĞIRLIK WEIGHT
42099.....	47000009-0001	150	50	220	226		262	50.8	16	~ 12 kg



SİLİNDİR TİPİ CYLINDER TYPE	STOK KODU STOK CODE	C	ØB	X	T	U	V	ØR	Z	AĞIRLIK WEIGHT
42120.....	47000017-0001	186	60	286	165	285	334	60.8	3	~ 19 kg
42141.....		204	60	286	183	303	352	60.8	8	~ 19 kg
42162.....		234	60	286	213	333	382	60.8	15	~ 19 kg
42162.....	47000024-0001	234	60	368	213	333	382	60.8	15	~ 31,5 kg
42183.....		255	60	368	234	354	402	60.8	19	~ 31,5 kg
42207.....	47000027-0001	265	65	368	244	364	413	65.8	33	~ 31 kg
42234.....	47000120-0001	320	70	368	299	419	468	70.8	48	~ 30,5 kg

Silindirinizin 'C' ölçüsü tablo değerleri dışında ise, tablo değerleri referans alınmaz.

Different measures of 'C' in reference to the table values, in that case table values must not be referred.

Braketin standart renk kodu RAL 7024 (Farklı renk isterseniz satış birimimizle iletişime geçiniz.)

Standard bracket is painted with RAL 7024 (In case of customisation, please refer sales team.)

Kutu içerisinde bağlantı plakası, cıvata ve pul bulunmaktadır.

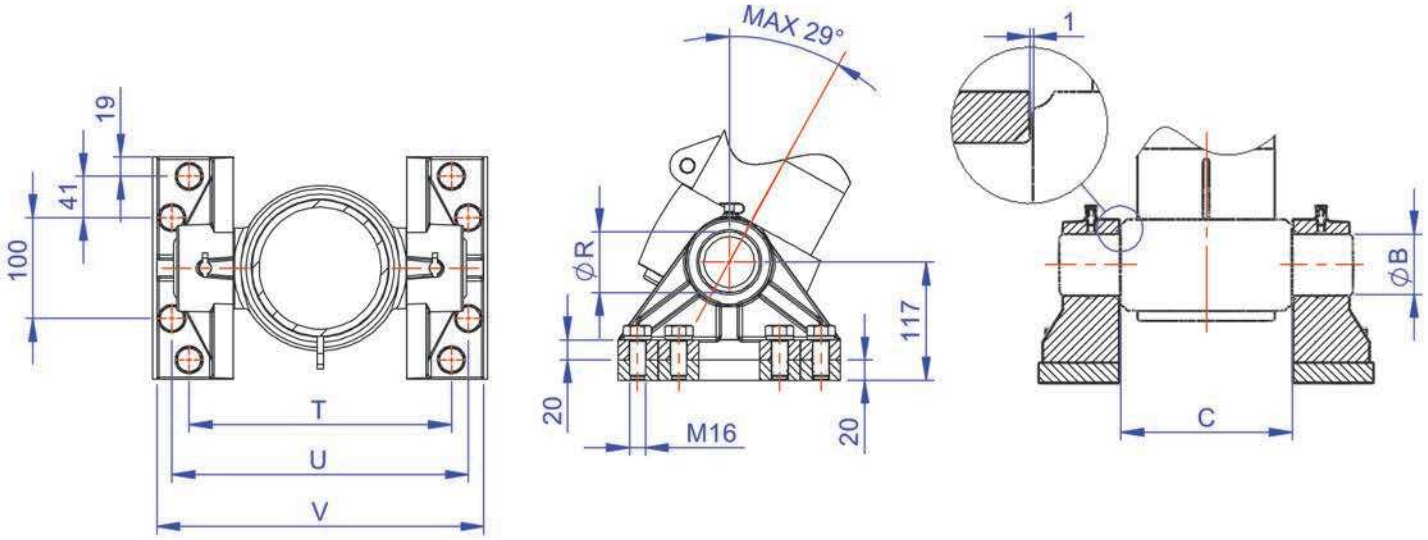
There is mounting plate, bolt and washer inside the box.

Siparişinizin stok kodunu 47...002 olarak verirsiniz, bağlantı elemanları da (cıvata, somun, pul) gönderilecektir.

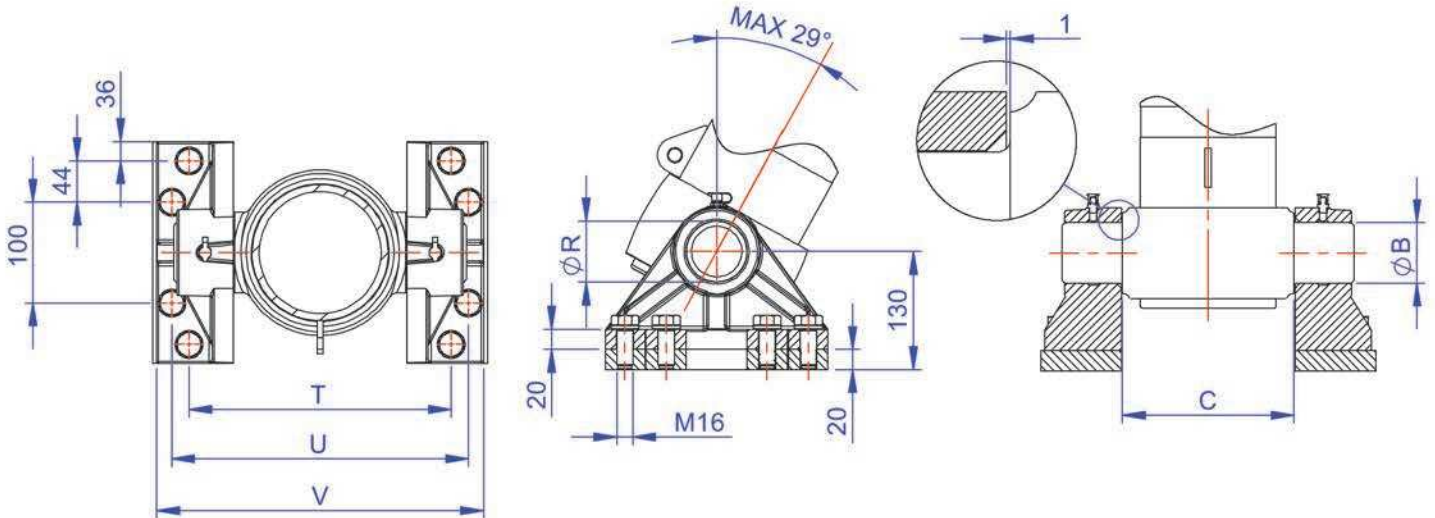
If you place the stock code of your order as 47 ... 002, the mounting parts (bolt, nut, washer) will be sent too.



Şase Braketleri Montaj Bilgileri | Chassis Brackets Mounting Instructions



SİLİNDİR TİPİ CYLINDER TYPE	STOK KODU STOK CODE	C	ØB	X	T	U	V	ØR	Z	AĞIRLIK WEIGHT
42120.....	47000110-0001	186	60	.	276	310	340	60.8	.	~ 17 kg
42141.....		204	60	.	294	328	358	60.8	.	~ 17 kg
42162.....		234	60	.	324	358	388	60.8	.	~ 17 kg
42183.....		255	60	.	345	379	409	60.8	.	~ 17 kg
42207.....	47000010-0001	265	65	.	355	389	419	65.8	.	~ 17 kg



SİLİNDİR TİPİ CYLINDER TYPE	STOK KODU STOK CODE	C	ØB	X	T	U	V	ØR	Z	AĞIRLIK WEIGHT
42234.....	47000012-0001	320	70	.	410	444	482	70.8	.	~ 21,5 kg

Silindirinizin 'C' ölçüsü tablo değerleri dışında ise, tablo değerleri referans alınamaz.

Different measures of 'C' in reference to the table values, in that case table values must not be referred.

Braketin standart renk kodu RAL 7024 (Farklı renk isterseniz satış birimimizle iletişime geçiniz.)

Standard bracket is painted with RAL 7024 (In case of customisation, please refer sales team.)

Kutu içerisinde bağlantı plakası, cıvata ve pul bulunmaktadır.

There is mounting plate, bolt and washer inside the box.

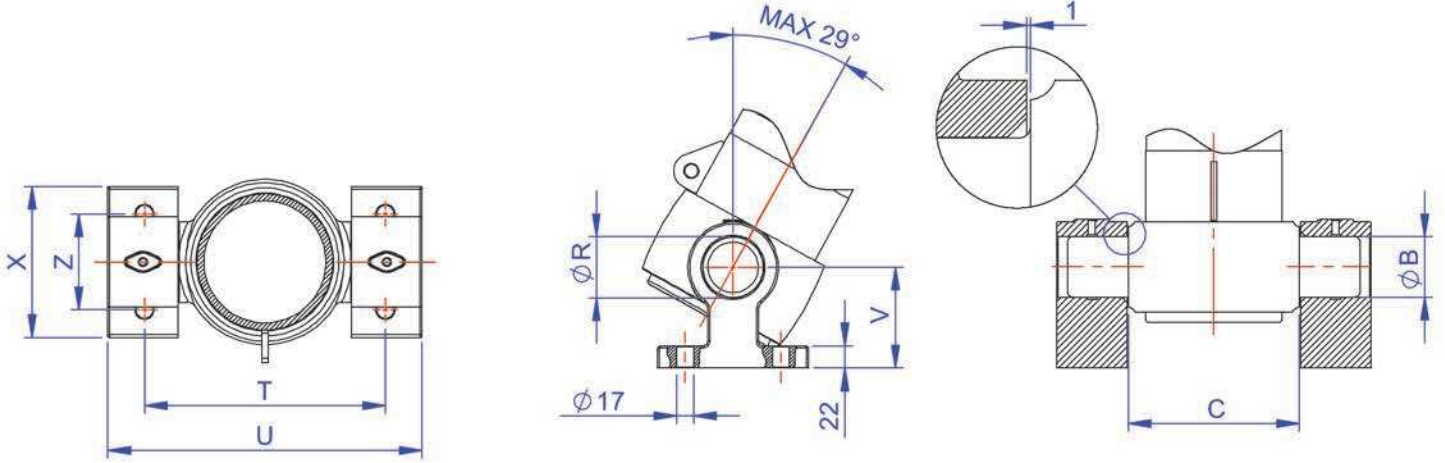
Siparişinizin stok kodunu 47...002 olarak verirseniz, bağlantı elemanları da (cıvata, somun, pul) gönderilecektir.

If you place the stock code of your order as 47 ... 002, the mounting parts (bolt, nut, washer) will be sent too.

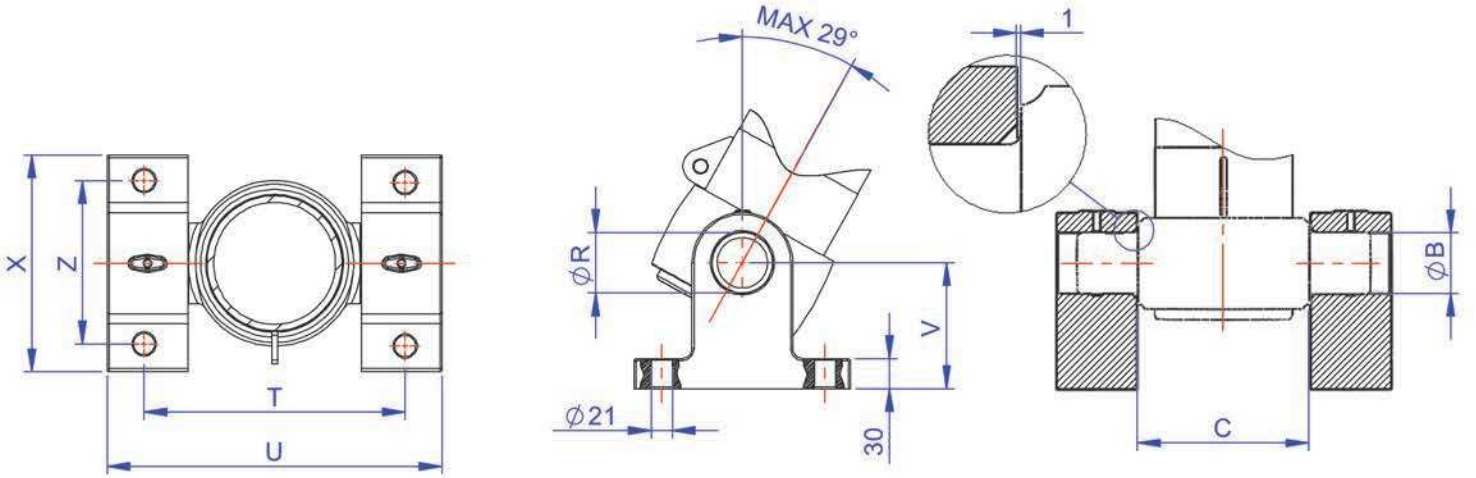


Braket Takımları | Klasik Serisi Bracket Kits | Classic Series

Şase Braketleri Montaj Bilgileri | Chassis Brackets Mounting Instructions



SİLİNDİR TİPİ CYLINDER TYPE	STOK KODU STOK CODE	C	ØB	X	Z	ØR	V	T	U	AĞIRLIK WEIGHT
42120.....	47000056-0001	186	60	150	95	60.8	100	255	328	~ 8,5 kg
42141.....	47000057-0001	204	60	150	95	60.8	100	250	346	~ 8,5 kg



SİLİNDİR TİPİ CYLINDER TYPE	STOK KODU STOK CODE	C	ØB	X	Z	ØR	V	T	U	AĞIRLIK WEIGHT
42162.....	47000058-0001	234	60	220	165	60.8	125	323	396	~ 19 kg
42183.....	47000059-0001	255	60	220	165	60.8	125	357	417	~19 kg
42207.....	47000055-0001	265	65	220	165	65.8	150	342	427	~ 22,5 kg

Silindirinizin 'C' ölçüsü tablo değerleri dışında ise, tablo değerleri referans alınmaz.

Different measures of 'C' in reference to the table values, in that case table values must not be referred.

Braketin standart renk kodu RAL 7024 (Farklı renk isterseniz satış birimimizle iletişime geçiniz.)

Standard bracket is painted with RAL 7024 (In case of customisation, please refer sales team.)

Kutu içerisinde bağlantı plakası, cıvata ve pul bulunmaktadır.

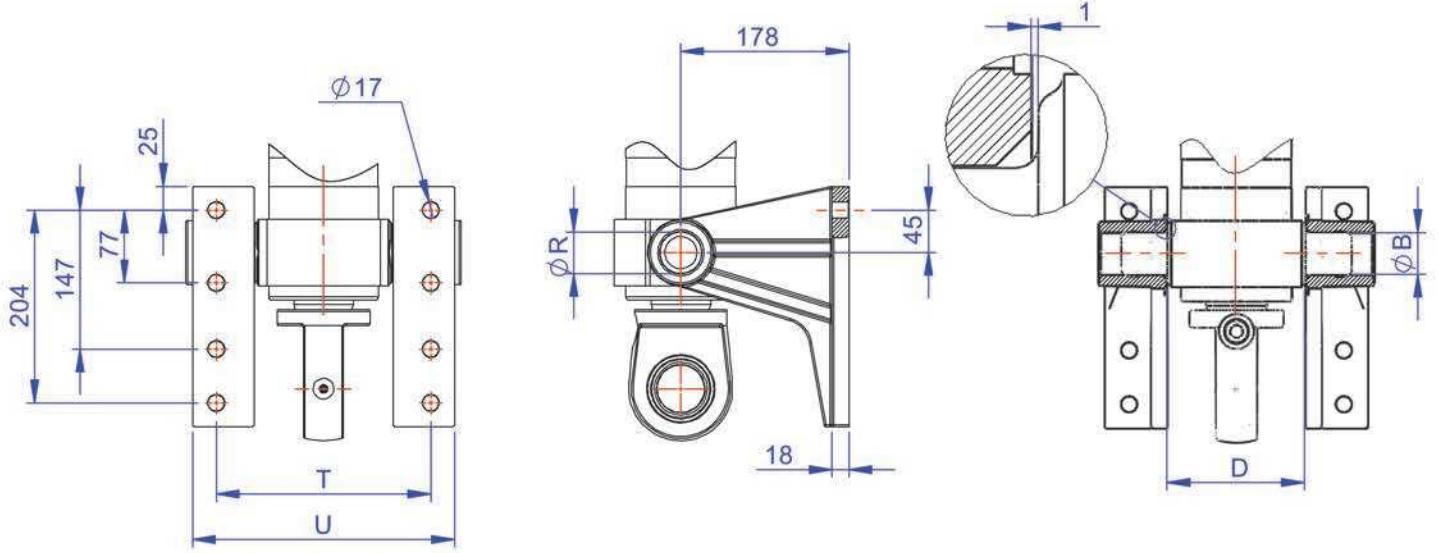
There is mounting plate, bolt and washer inside the box.

Siparişinizin stok kodunu 47...002 olarak verirsiniz, bağlantı elemanları da (cıvata, somun, pul) gönderilecektir.

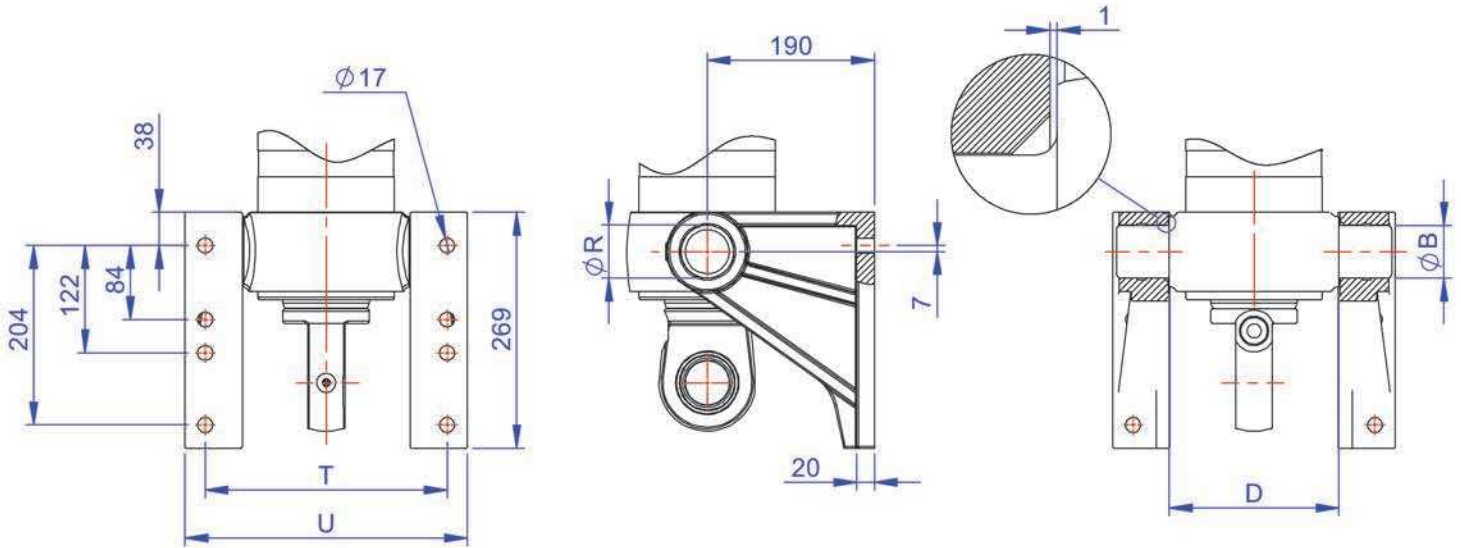
If you place the stock code of your order as 47 ... 002, the mounting parts (bolt, nut, washer) will be sent too.



Kasa Braketleri Montaj Bilgileri | Casing Brackets Mounting Instructions



SİLİNDİR TİPİ CYLINDER TYPE	STOK KODU STOK CODE	D	ØG	X	T	U	V	ØR	Z	AĞIRLIK WEIGHT
42099.....	47000004-0001	150	44	.	232	282	.	44.5	.	~ 12,5 kg



SİLİNDİR TİPİ CYLINDER TYPE	STOK KODU STOK CODE	D	ØB	X	T	U	V	ØR	Z	AĞIRLIK WEIGHT
42120.....	47000101-0001	186	60	.	270	316	.	60.8	.	~ 17 kg
42141.....		204	60	.	288	334	.	60.8	.	~ 17 kg
42162.....		234	60	.	318	364	.	60.8	.	~ 17 kg
42183.....		255	60	.	339	385	.	60.8	.	~ 17 kg

Silindirinizin 'C' ölçüsü tablo değerleri dışında ise, tablo değerleri referans alınmaz.

Different measures of 'C' in reference to the table values, in that case table values must not be referred.

Braketin standart renk kodu RAL 7024 (Farklı renk isterseniz satış birimimizle iletişime geçiniz.)

Standard bracket is painted with RAL 7024 (In case of customisation, please refer sales team.)

Kutu içerisinde bağlantı plakası, cıvata ve pul bulunmaktadır.

There is mounting plate, bolt and washer inside the box.

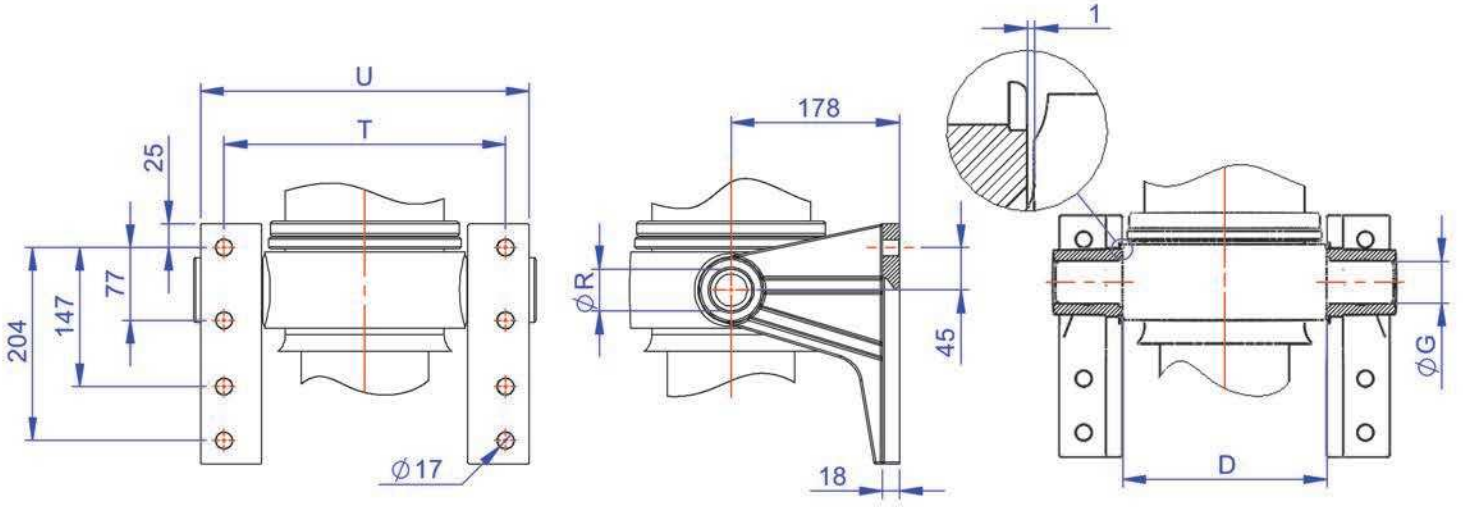
Siparişinizin stok kodunu 47...002 olarak vererseniz, bağlantı elemanları da (cıvata, somun, pul) gönderilecektir.

If you place the stock code of your order as 47 ... 002, the mounting parts (bolt, nut, washer) will be sent too.

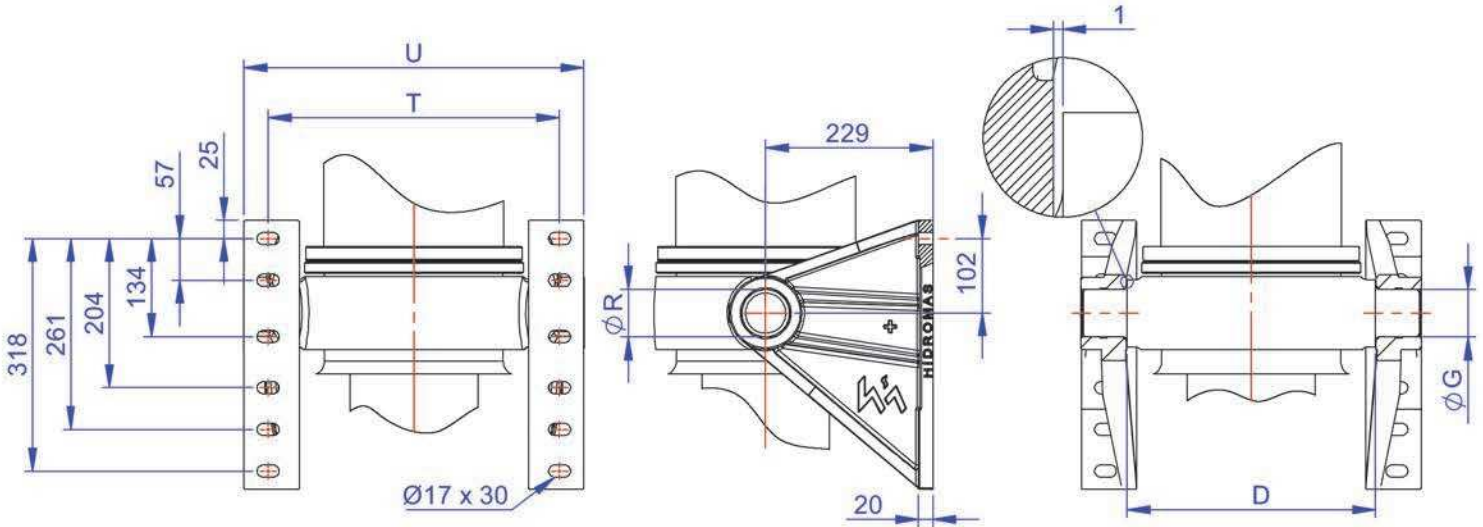


Braket Takımları | Klasik Serisi Bracket Kits | Classic Series

Kasa Braketleri Montaj Bilgileri | Casing Brackets Mounting Instructions



SİLİNDİR TİPİ CYLINDER TYPE	STOK KODU STOK CODE	D	ØG	X	T	U	V	ØR	Z	AĞIRLIK WEIGHT
42099.....	47000004-0001	216	44	.	298	348	.	44.5	..	~ 12,5 kg
42121.....		216	44	.	298	348	.	44.5	..	~ 12,5 kg



SİLİNDİR TİPİ CYLINDER TYPE	STOK KODU STOK CODE	D	ØB	X	T	U	V	ØR	Z	AĞIRLIK WEIGHT
42141.....	47000121-0001	283	65	.	342	405	.	65.8	.	~ 25 kg
42162.....		340	65	.	400	462	.	65.8	..	~ 25 kg
42183.....		340	65	.	400	462	.	65.8	..	~ 25 kg
42207.....		355	65	.	414	477	.	65.8	..	~ 25 kg
42234.....		355	65	.	414	477	.	65.8	..	~ 25 kg

Silindirinizin 'C' ölçüsü tablo değerleri dışında ise, tablo değerleri referans alınamaz.

Different measures of 'C' in reference to the table values, in that case table values must not be referred.

Braketin standart renk kodu RAL 7024 (Farklı renk isterseniz satış birimimizle iletişime geçiniz.)

Standard bracket is painted with RAL 7024 (In case of customisation, please refer sales team.)

Kutu içerisinde bağlantı plakası, civata ve pul bulunmaktadır.

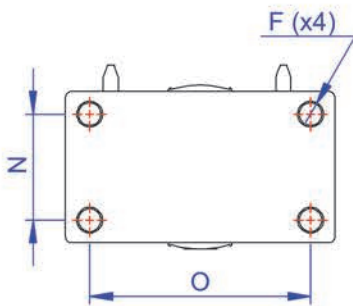
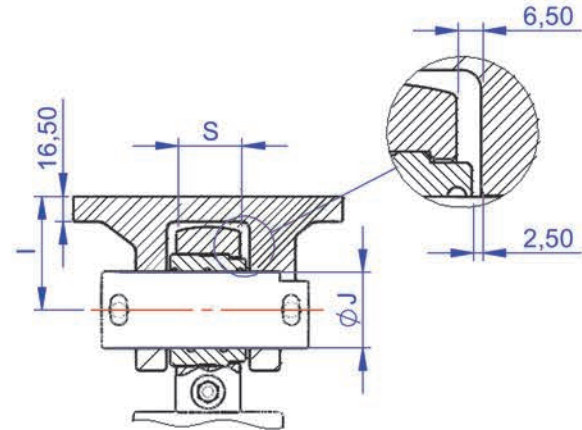
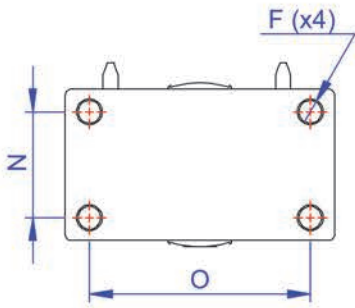
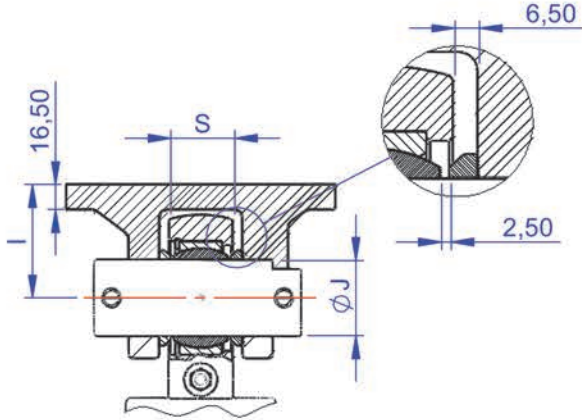
There is mounting plate, bolt and washer inside the box.

Siparişinizin stok kodunu 47...002 olarak vererseniz, bağlantı elemanları da (civata,somun,pul) gönderilecektir.

If you place the stock code of your order as 47 ... 002, the mounting parts (bolt, nut, washer) will be sent too.



Üst Braketleri Montaj Bilgileri | Top Clavis Mounting Instructions



GE 50

SİLİNDİR TİPİ CYLINDER TYPE	KADEME STAGE	S	ØJ	I	O	N	F	STOK KODU STOK CODE
42099.....		42	50	75	146	70	M16x2 Ø15	47000020-02-001 47000015-01-001
42121.....								
42141.....								
42162.....	5 / 4 / 3	42	50	85	184	95	M16x2 Ø17	47000026-02-002 47000079-01-001
42183.....	5 / 4							

GE 60

42207.....	5 / 4	52	60	90	184	95	M16x2 Ø17	47000035-02-001 47000080-01-001
42234.....								

GEZ 50

42162.....	5 / 4 / 3	50	50,8	85	184	95	M16x2 Ø17	47000061-01-001 47000081-01-001
42183.....	5 / 4							

GE 50 (BUSH)

SİLİNDİR TİPİ CYLINDER TYPE	KADEME STAGE	S	ØJ	I	O	N	ØF	STOK KODU STOK CODE
42099.....		42	50	75	146	70	M16x2 Ø15	47000020-02-002 47000015-01-002
42121.....								
42141.....								
42162.....	5 / 4 / 3	42	50	85	184	95	M16x2 Ø17	47000026-02-003 47000079-01-002
42183.....	5 / 4							

GE 60 (BUSH)

42207.....	5 / 4	52	60	90	184	95	M16x2 Ø17	47000035-02-002 47000080-01-002
42234.....								

GEZ 50 (BUSH)

42162.....	5 / 4 / 3	52	50,8	85	184	95	M16x2 Ø17	47000061-01-002 47000081-01-002
42183.....	5 / 4							

Braketin standart renk kodu RAL 7024 (Farklı renk isterseniz satış birimimizle iletişime geçiniz.)
Standard bracket is painted with RAL 7024 (In case of customisation, please refer sales team.)



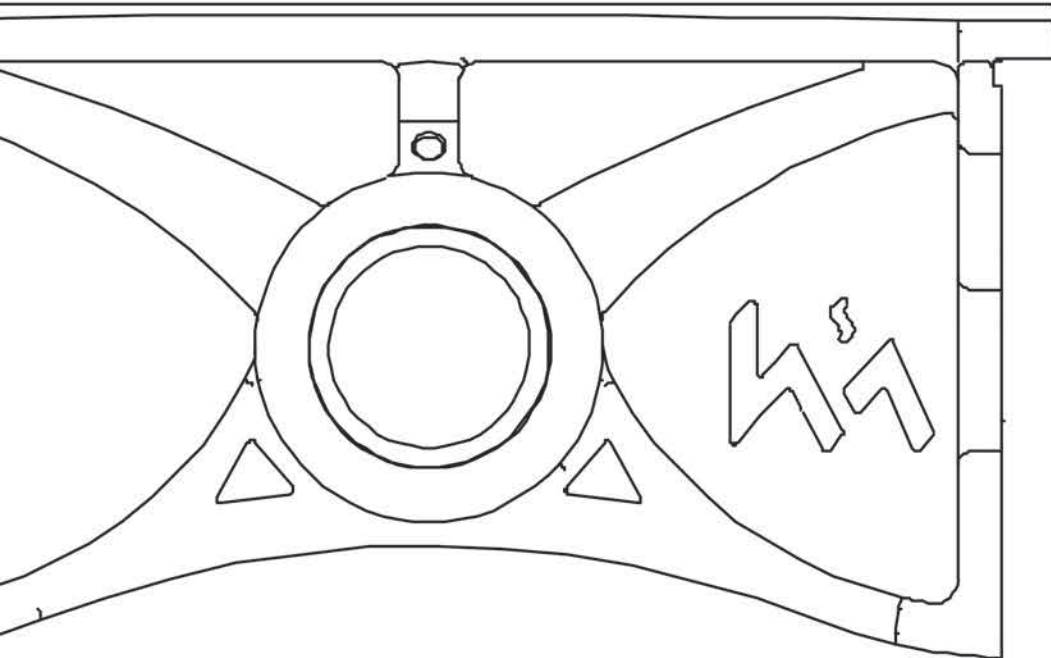
A series of horizontal dashed lines for writing notes.



COMPLETE SOLUTIONS IN ONE STEP



TRANSFORMING
BEST MATERIALS
TO THE BEST PRODUCT



Büyükkayacık Mah. Konya O.S.B.
3 Nolu Sk. No:1/A
Selçuklu / Konya / Turkey
+90 332 239 08 52
hidromas@hidromas.com